



EINAREX



VENTUS V80

INSTALLATION MANUAL

VENTUS V80

WHAT'S INSIDE

Included with VENTUS V80 package are the following items:

- Universal bracket for INTEL and AMD x1
- INTEL backplate x1
- Install screws pack x1
- VENTUS V80 Heatsink x1
- HDB ARGB fan x2



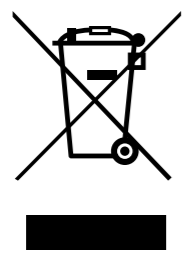
WARRANTY

EINAREX provides a 3-year product warranty for non-human damage. For detailed warranty terms, please check: enarex.com



SAFETY INFORMATION

WARNING: This unit has no user-serviceable parts inside. Opening the casing presents a risk of electrocution and will void the product's warranty. EINAREX will not be responsible for any result of improper use, including but not limited to, any use of the product outside of its intended purpose or use inconsistent with the warranty terms.



DISPOSAL

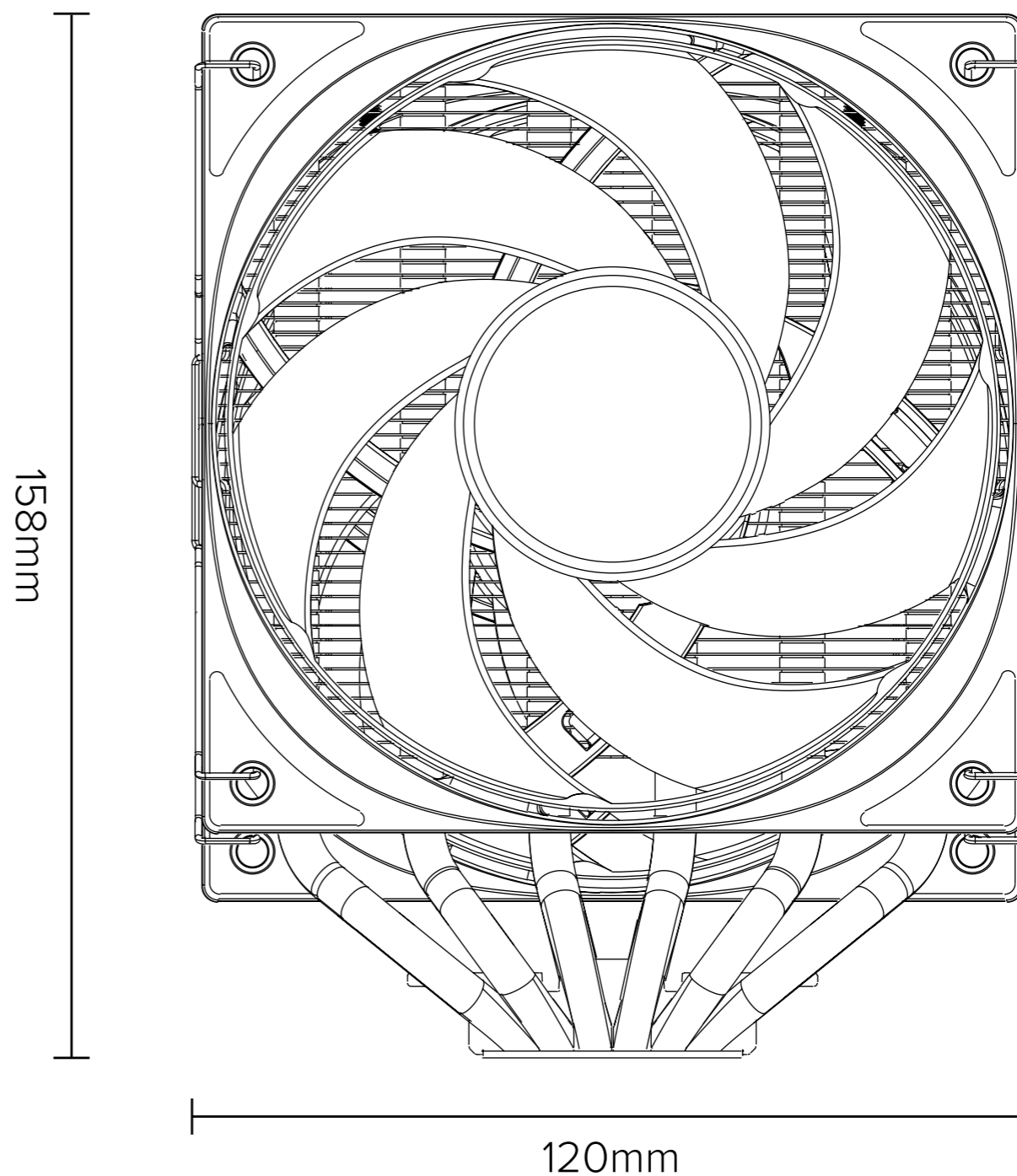
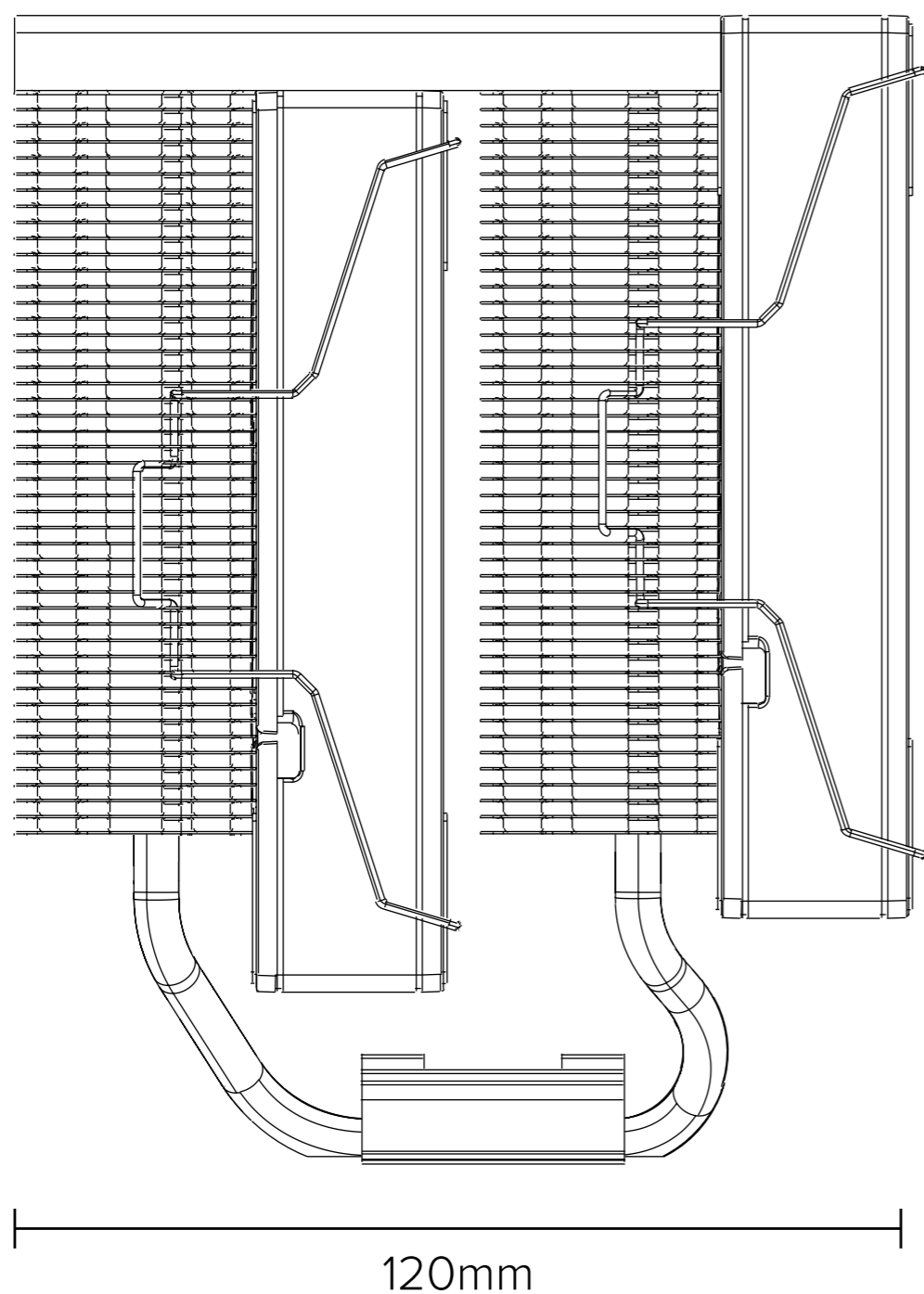
This product contains recyclable materials and should not be disposed of with regular household waste. To protect the environment, please dispose of this product at designated collection points in accordance with your local electronic waste recycling regulations. Proper recycling helps reduce environmental pollution and allows valuable materials to be reused. For detailed recycling guidelines, please contact your local waste management authority.



MAINTENANCE AND CLEANING

Before cleaning, ensure the power is turned off and the power cord is unplugged for safety. We recommend using a clean, dry cloth to clean the product surface to remove accumulated dust. If cleaning agents are necessary, please use neutral cleaning agents and avoid direct contact with electronic components. Ensure the product is completely dry before use. Do not use corrosive or abrasive cleaning products to prevent damage to the product surface.

TECHNICAL SPECIFICATIONS



Technical Specifications

Intel Socket	LGA 18xx / 1700 / 1200 / 115x
AMD Socket	AM5 / AM4

Heatsink

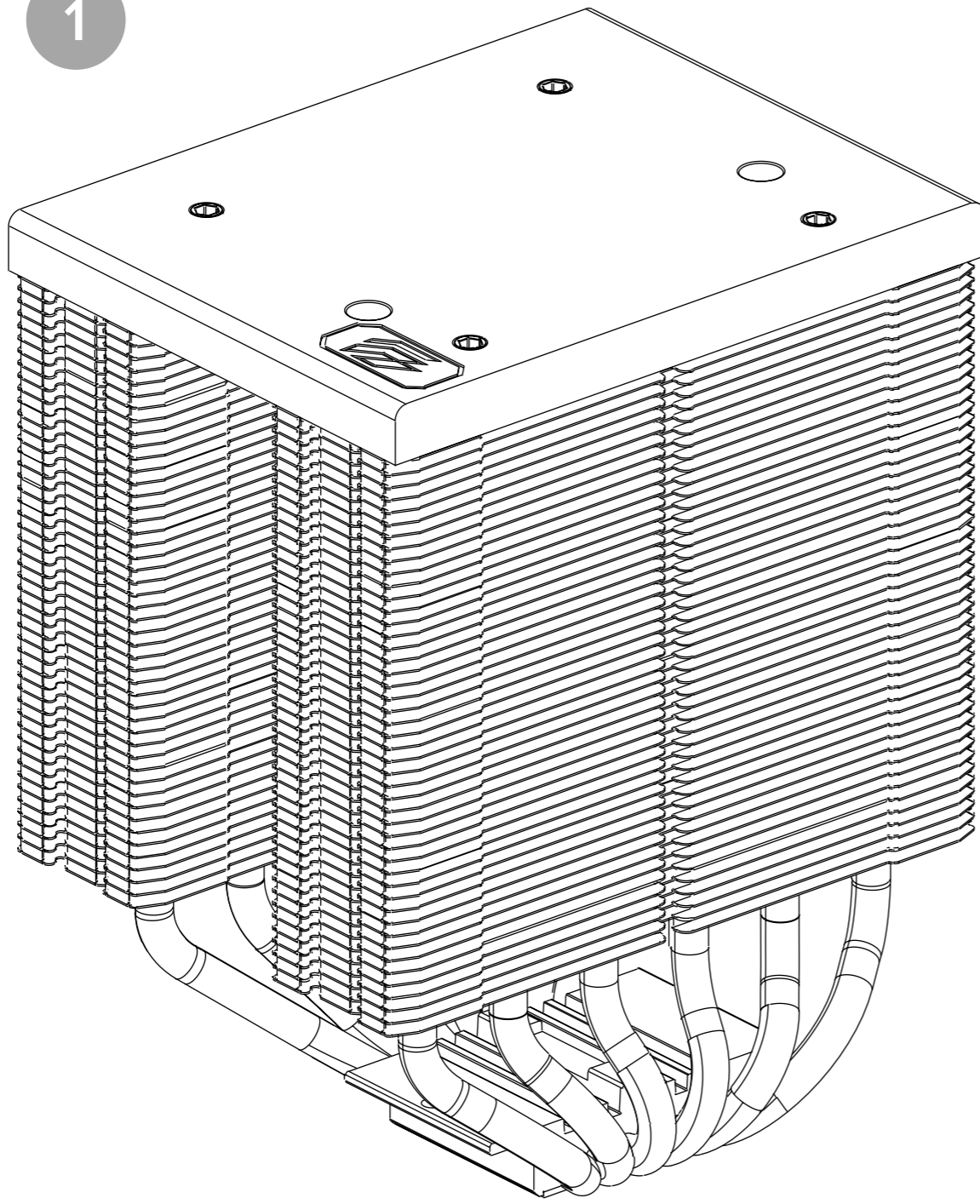
Structure	Copper
Heatpipes	6PCS
Dimensions	120 x 95 x 153mm
Material	Aluminum
Coldplate material	Copper
Coldplate dimensions	35 x 36 mm

Fans

Number of fans	x2
Dimensions	120mm x 120mm x 25mm
Fan bearing	Hydro Bearing
Speed	800-2400 RPM ± 10%
Airflow	74.1 CFM ± 10% max
Static pressure	2.57 mmH2O
Noise	33.2 dBA MAX
Fan control	Fan: 2510-4Pin PWM Lights: 5V-3Pin ARGB
Life	30,000 hours

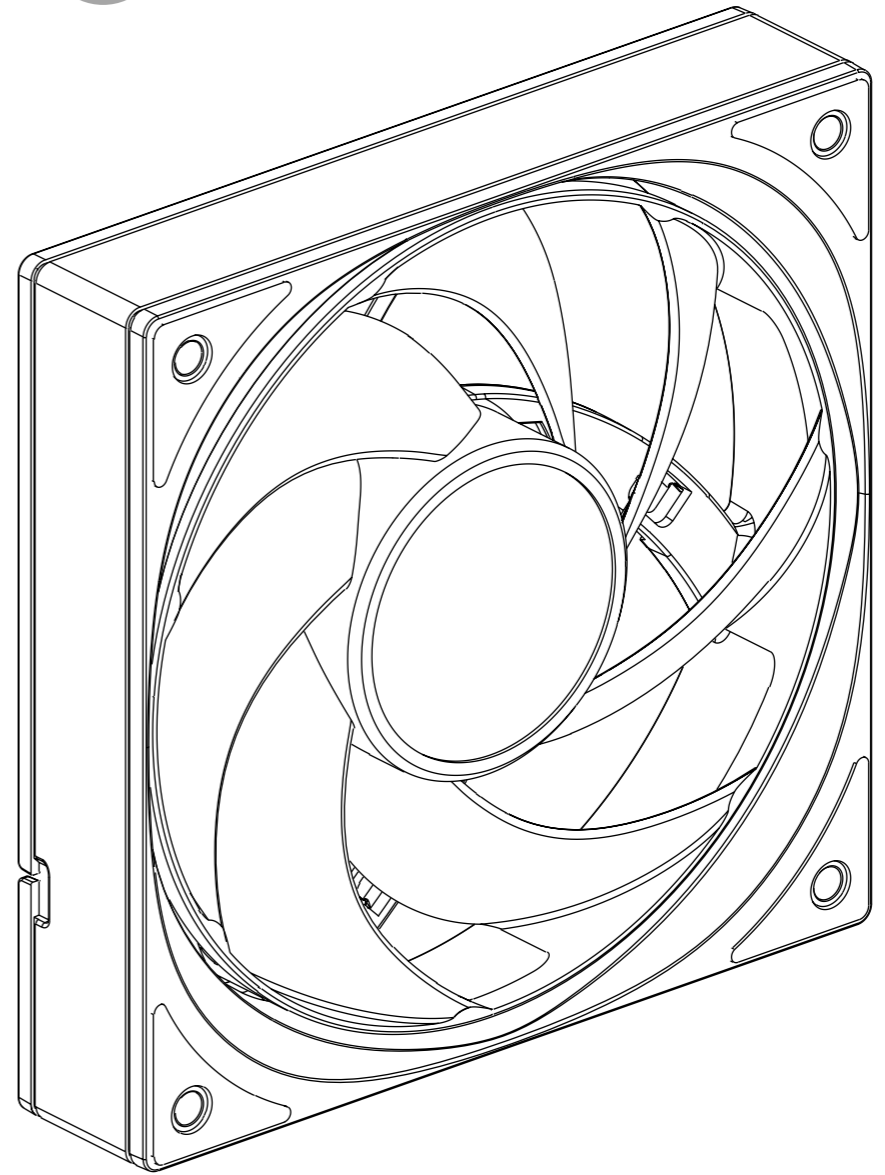
ACCESSORY BOX

1



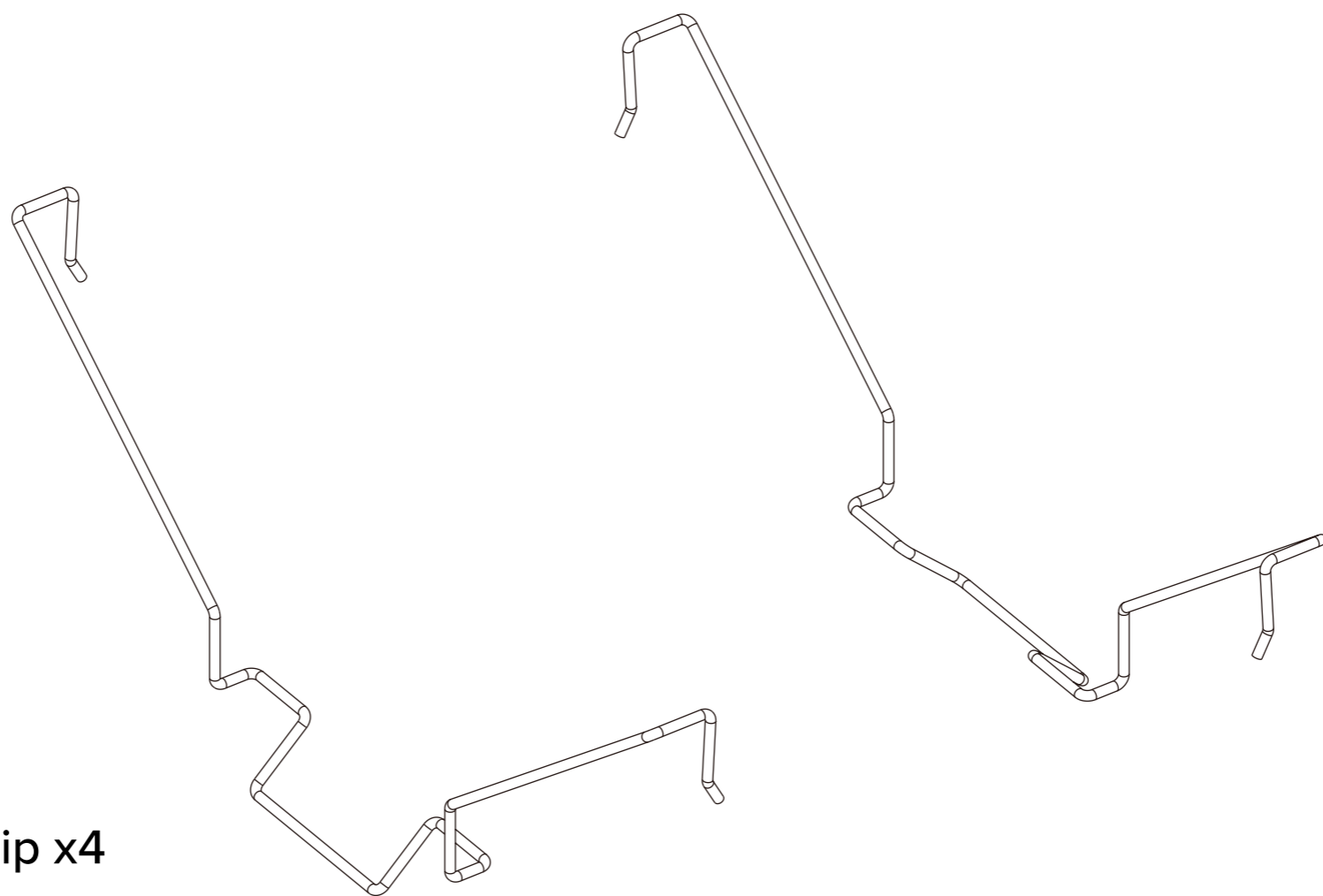
Heatsink x1

2



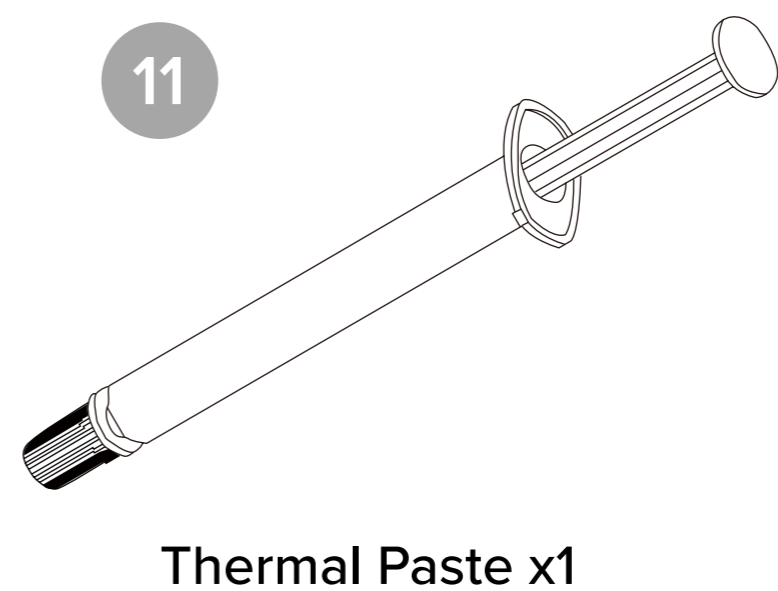
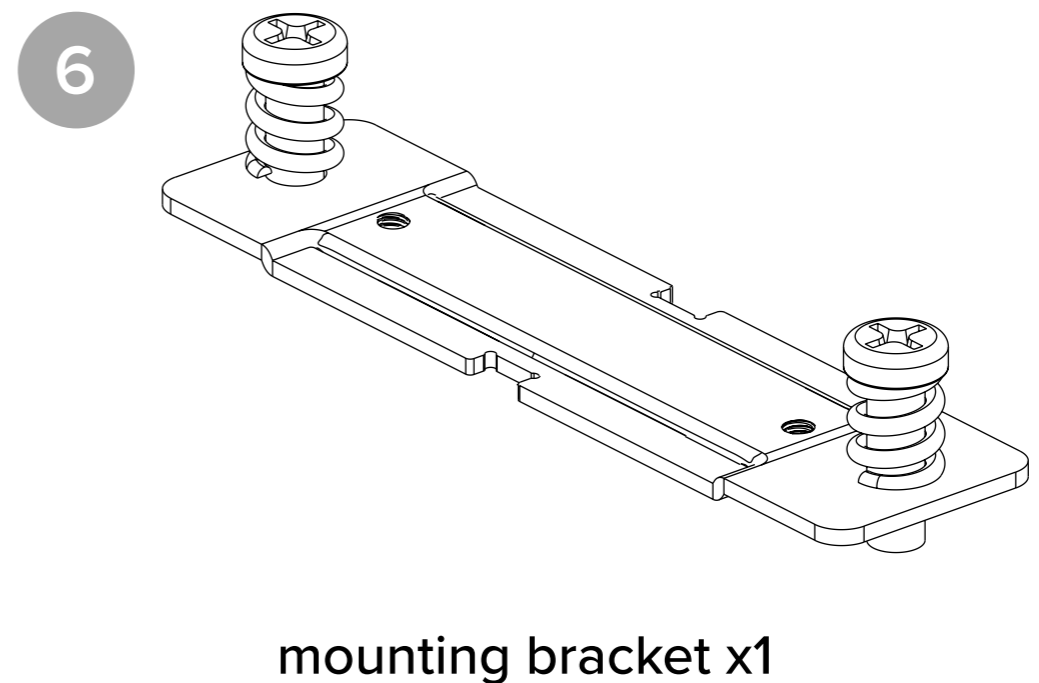
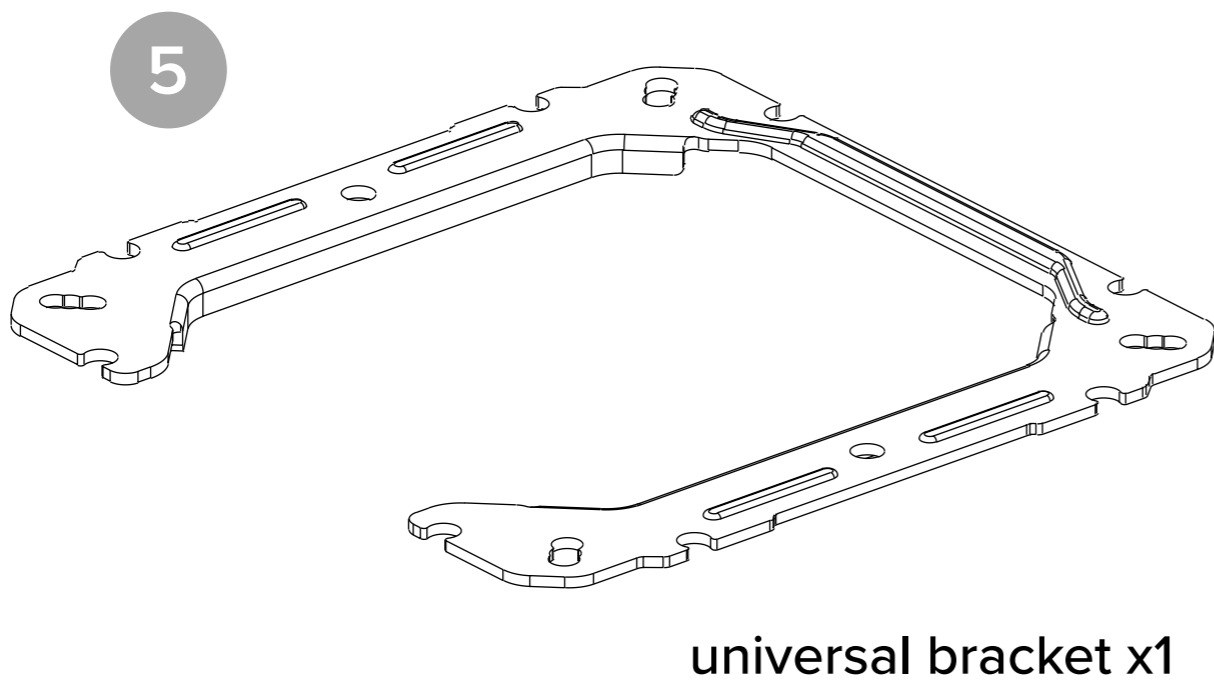
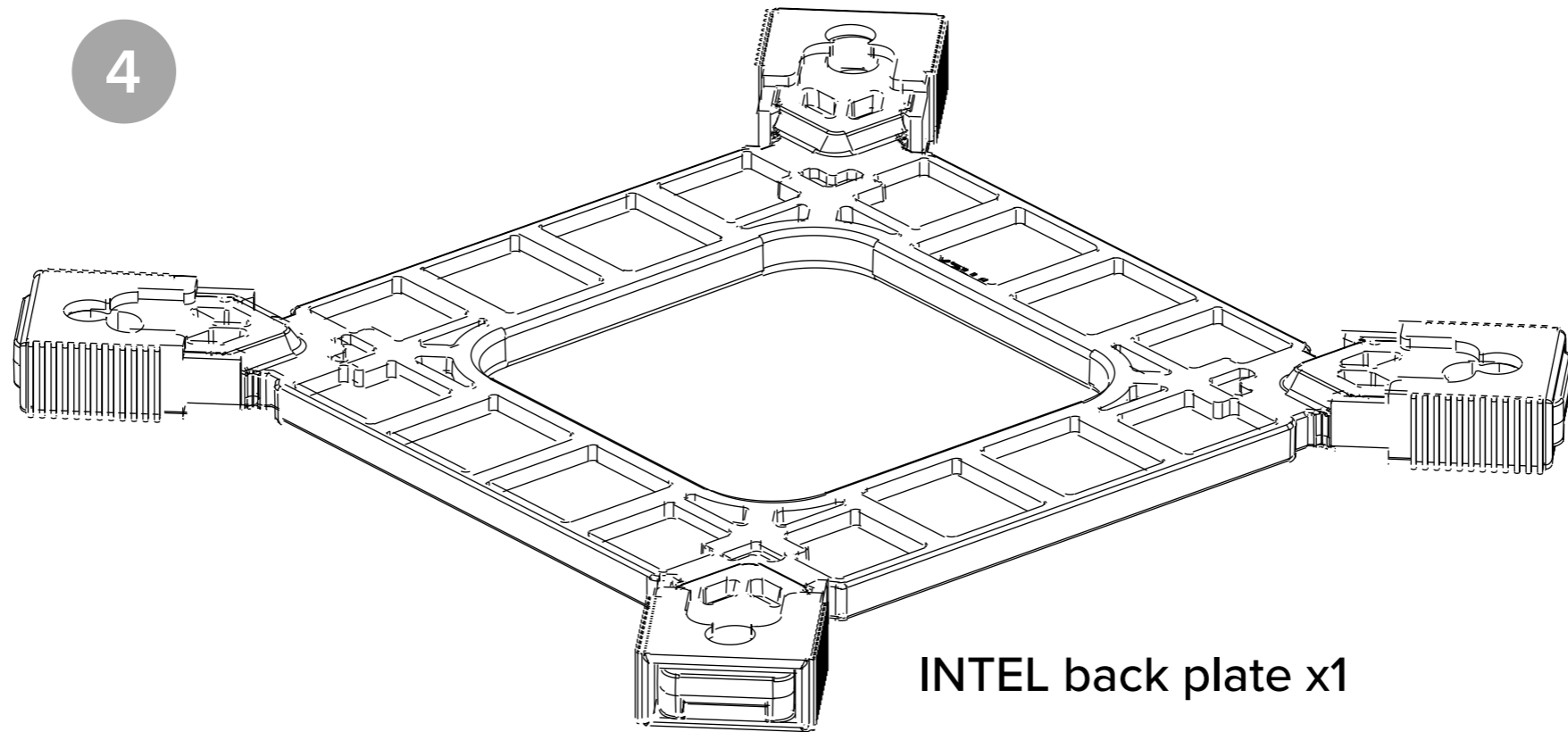
HDB ARGB Fan x2

3

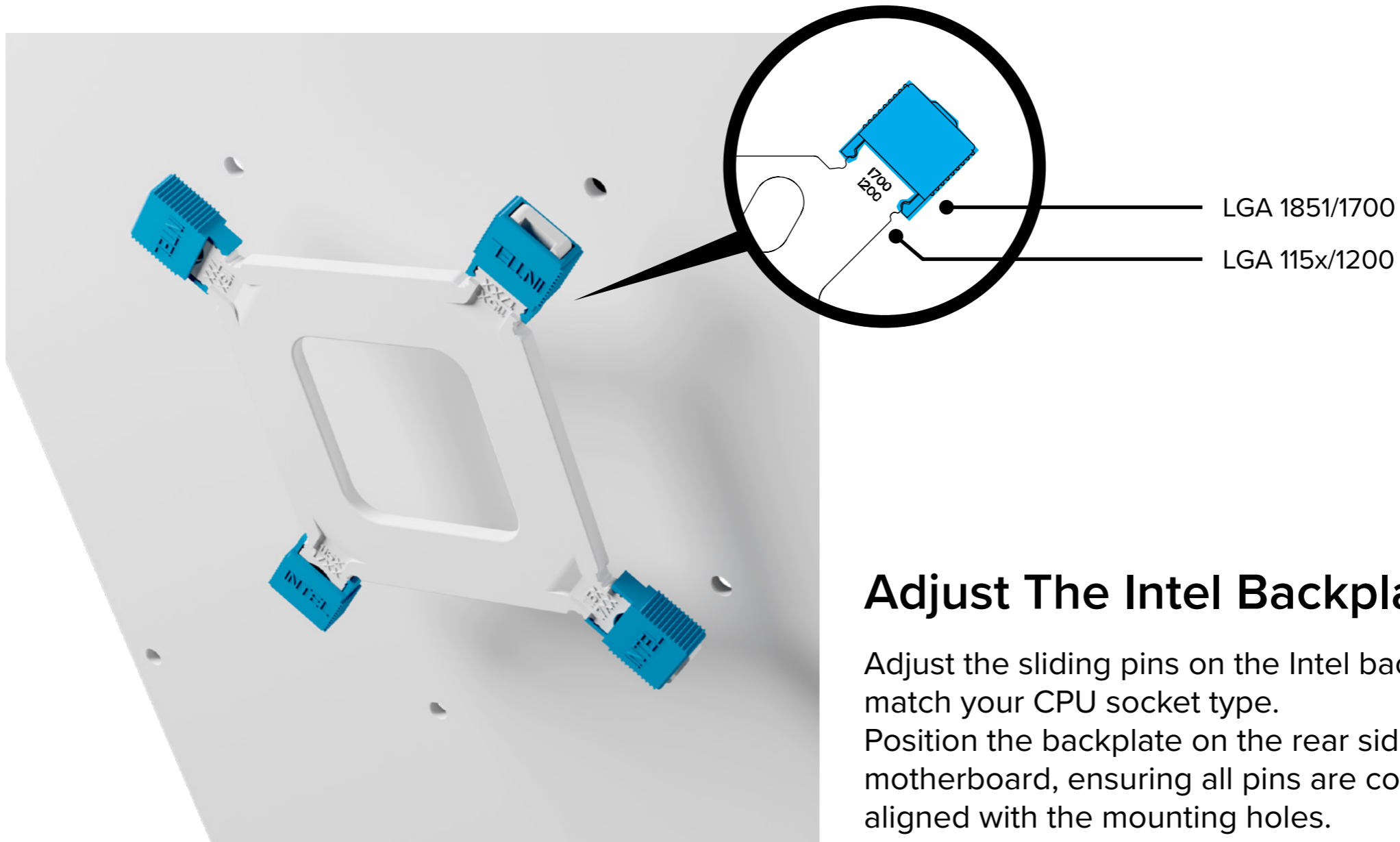


Fan clip x4

ACCESSORY BOX

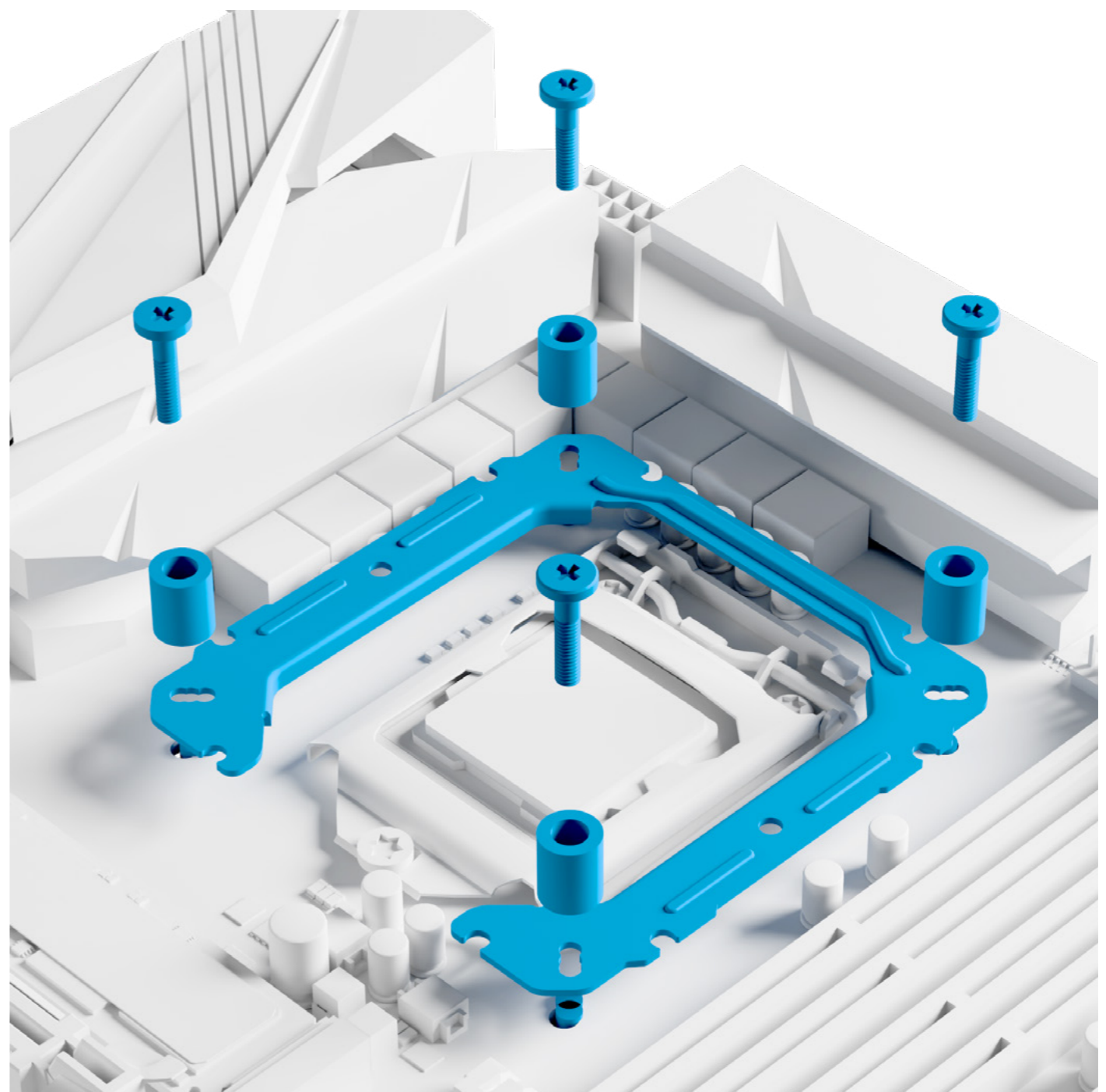


A1 INTEL BACKPLATE AND BRACKET INSTALLATION

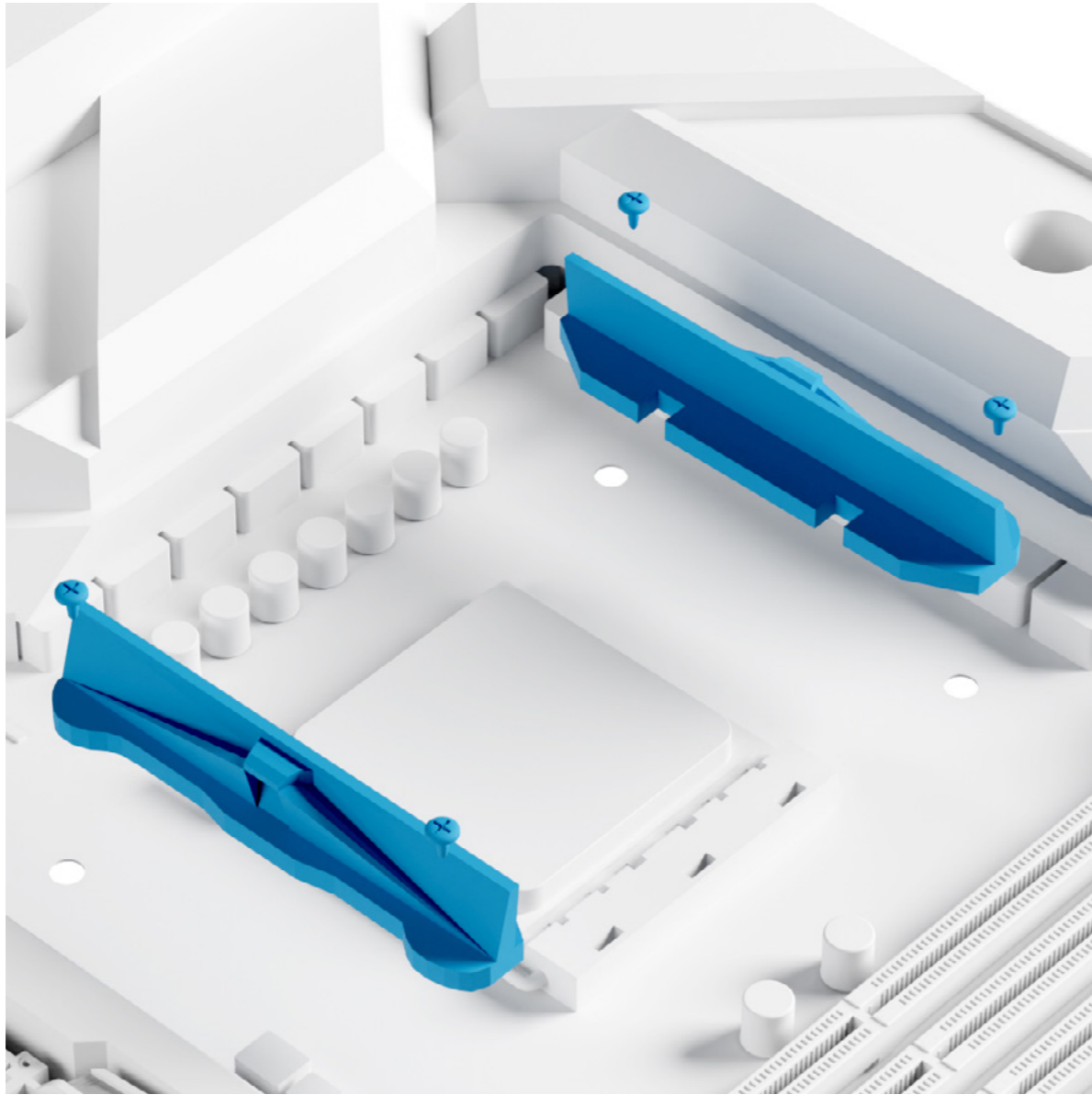


Install The Universal Brackets for INTEL

From the front side of the motherboard, install the universal brackets. Secure them using the included spacers and screws, and tighten evenly until firmly fixed.



A2 AMD BACKPLATE AND BRACKET INSTALLATION

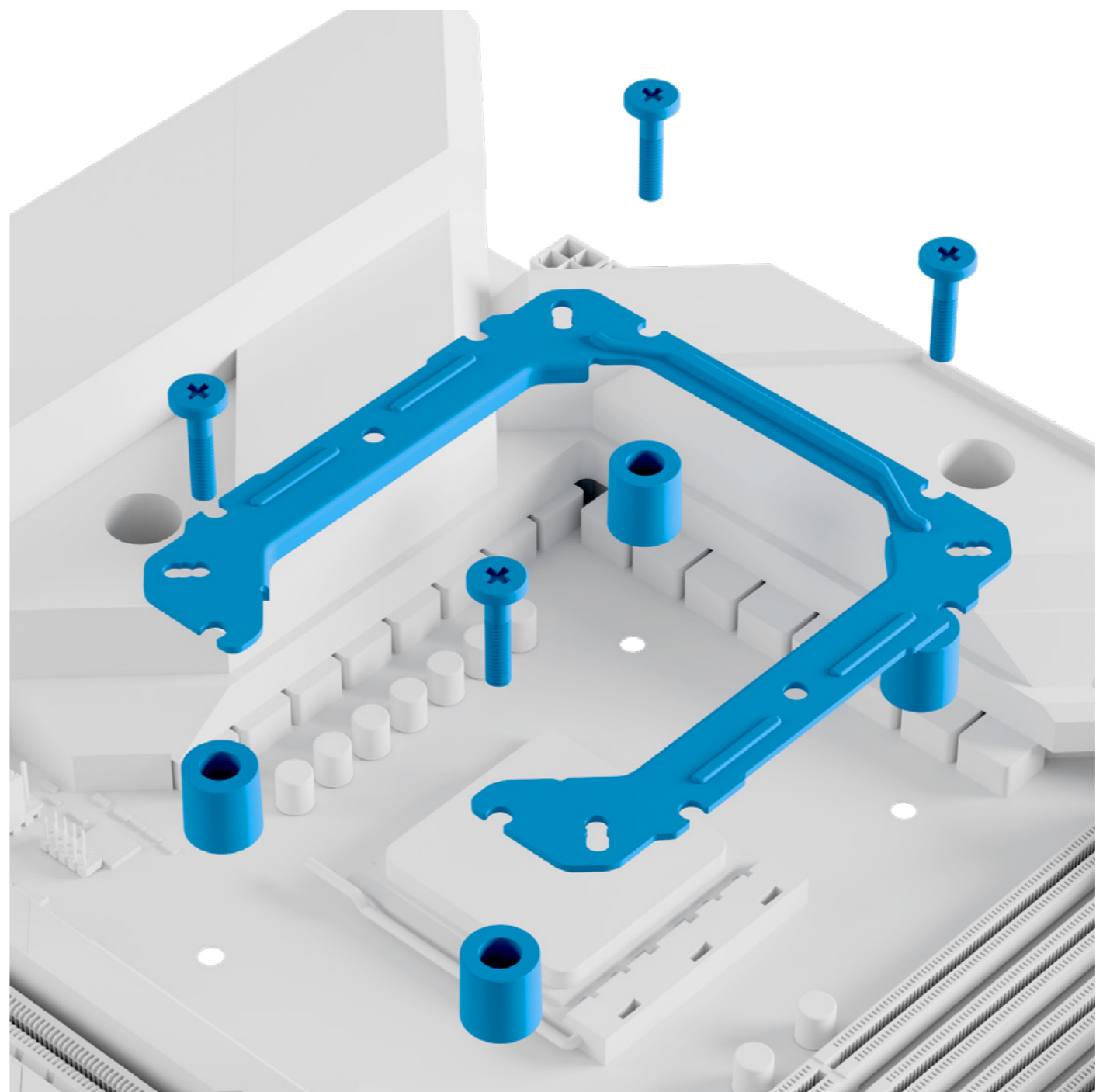


Remove The Original AMD Brackets

Remove the pre-installed AMD plastic brackets from the motherboard. Keep the original AMD backplate in place, as it will be reused for installation.

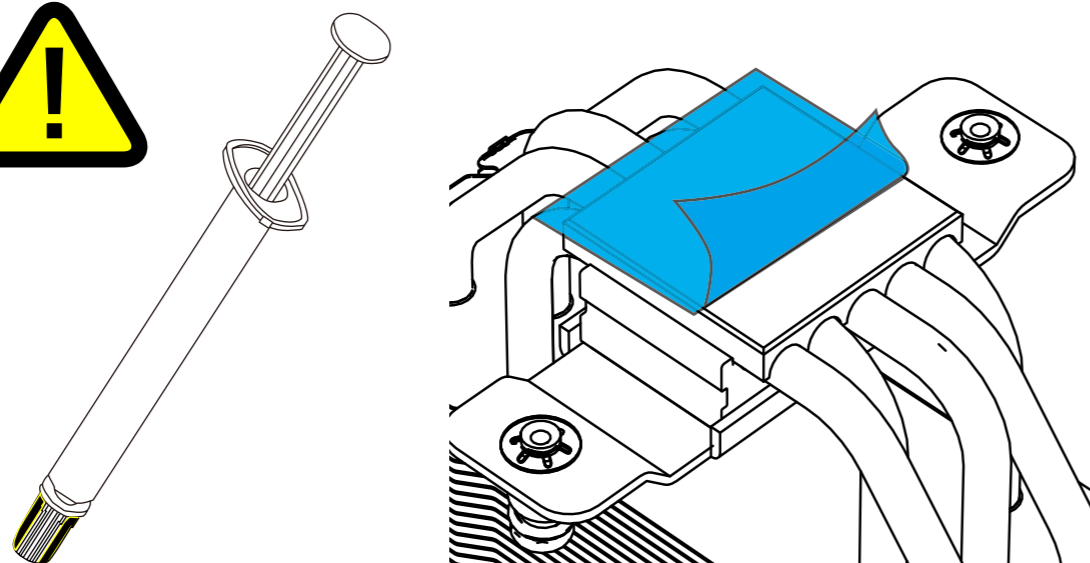
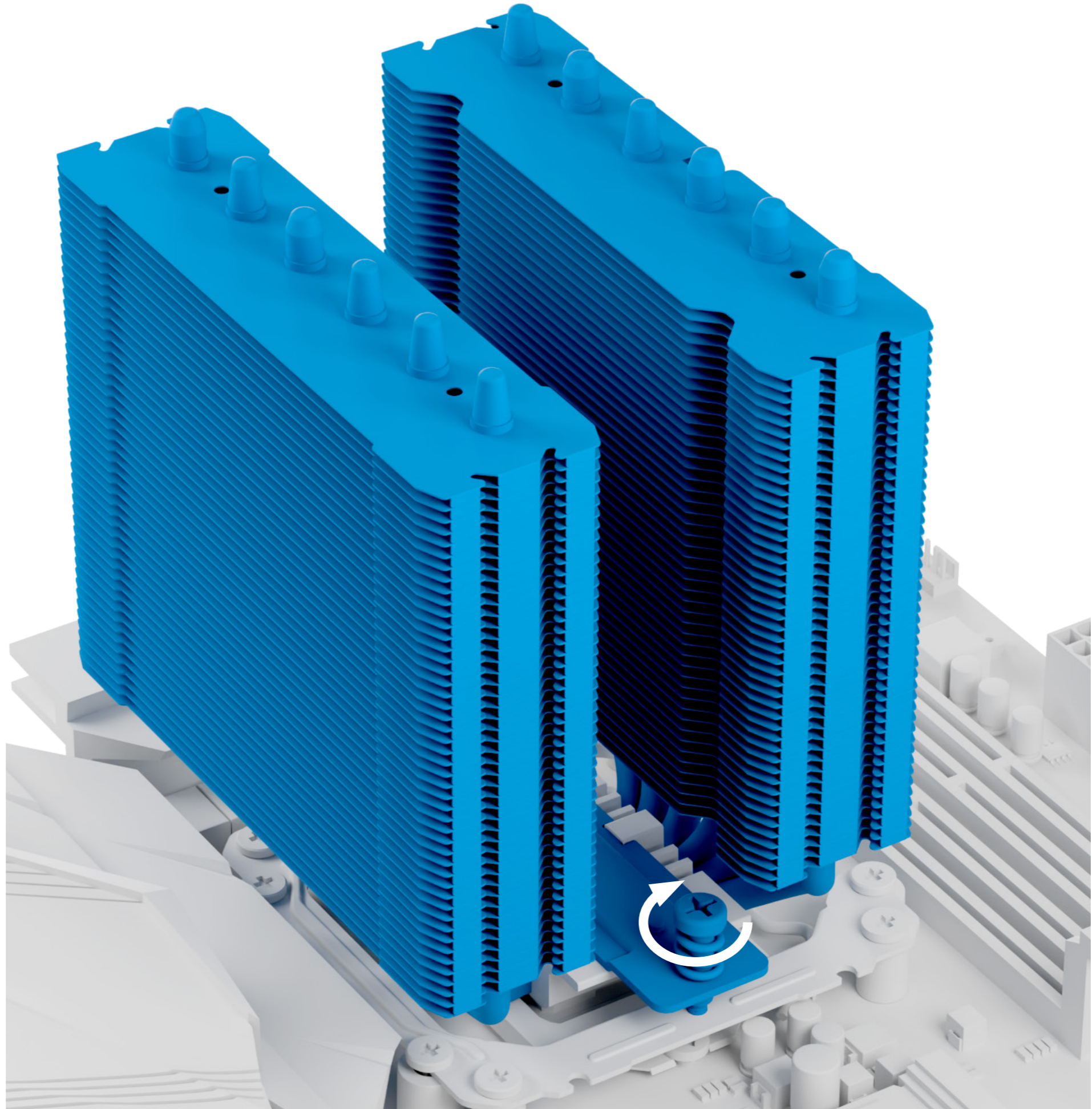
Install The Universal Brackets for AMD

Position the universal brackets onto the motherboard. Secure them using the included spacers and screws, and tighten evenly until firmly fixed.



B

HEATSINK INSTALLATION

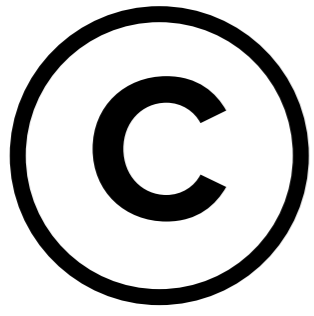


Before Installation

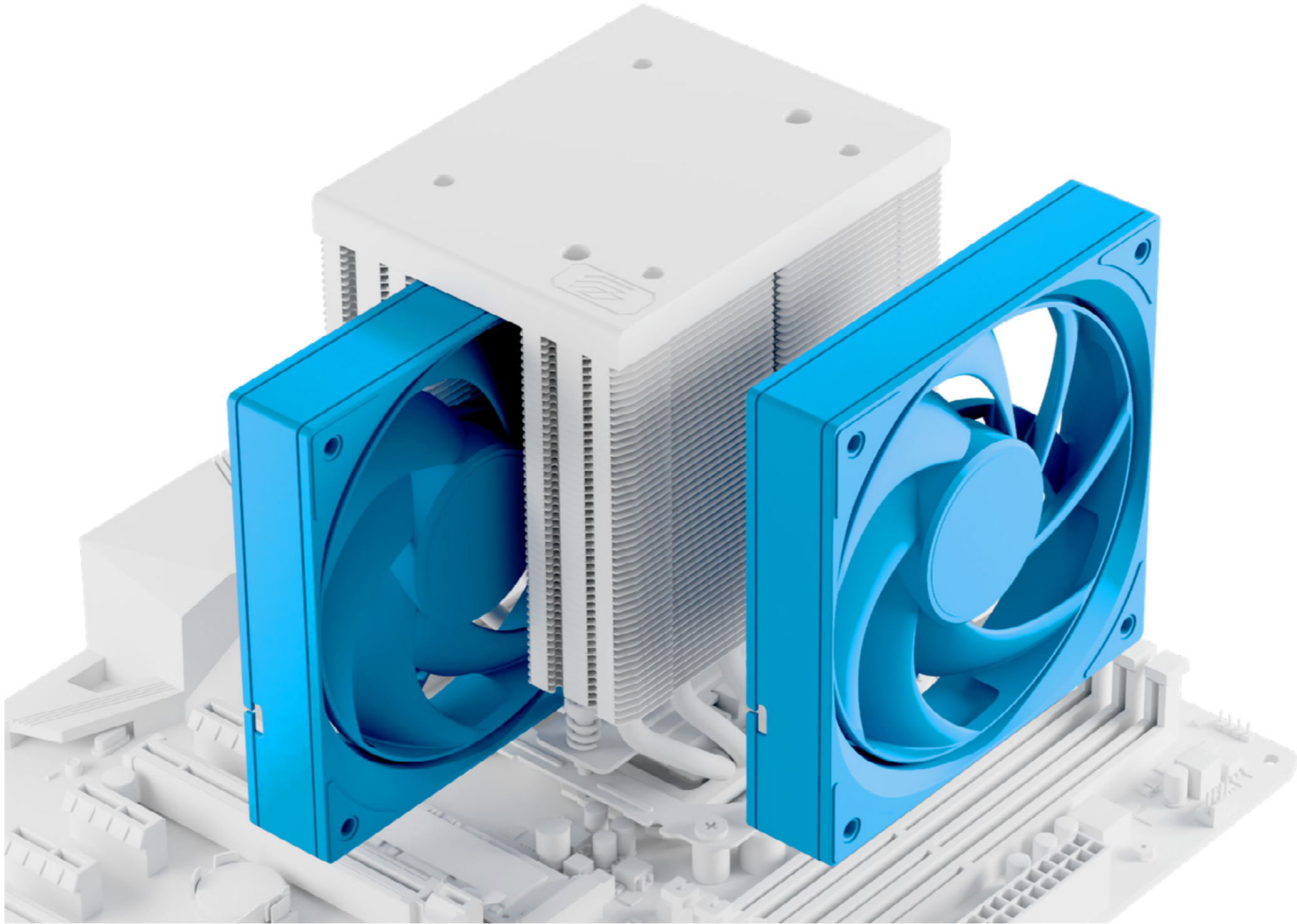
Apply an even layer of thermal paste to the center of the CPU.
Remove the protective film from the copper base of the heatsink.

Install The Heatsink Assembly

Carefully place the heatsink onto the CPU, aligning it with the mounting brackets.
Tighten the screws evenly on both sides until fully secured.
Do not overtighten.

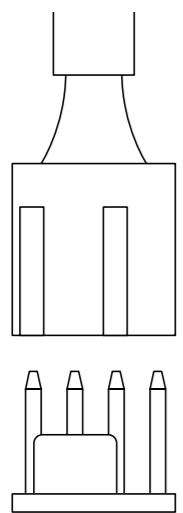


FAN INSTALLATION



Install The Fan

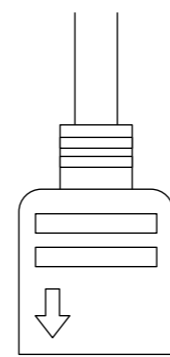
Position the fan onto the heatsink.
Attach the fan clips to secure the fan firmly to the heatsink fins.



CPU_FAN

Fan Power (PWM)

Connect the 4-pin fan connector to the CPU_FAN header on the motherboard.
Ensure the cable is fully seated and not interfering with the fan blades.



+
+5V_ARGB
ADDR_LED

RGB Control (ARGB)

Connect the 3-pin ARGB connector to a 5V ARGB header on your motherboard.

Important:

Align the arrow on the connector with the +5V pin. Connecting to a 12V RGB header will cause permanent damage.

Daisy Chain

Supports daisy-chaining multiple ARGB fans to a single motherboard header.



Caution

The edges of the heatsink fins may be sharp, handle the heatsink carefully to avoid injury.
ARGB fans operate at 5V. Connecting them to a 12V RGB header will result in hardware failure.

Compliance with the EU General Product Safety Regulation (GPSR)

In accordance with the new General Product Safety Regulation (GPSR), which ensures the safety and quality of products in the European market, we provide the following detailed information for transparency and compliance with EU requirements for our customers and partners:

Product Identification and traceability:

- Product Name: [Full product name]
- Model or Reference Code: [Product model or reference code]
- Batch or Serial Number: [Batch or serial number for traceability]
- Intended Use: [Brief description of the product's intended use]

User Instructions and Warnings:

To ensure safe and proper use of the product, a detailed User Manual is provided as QR code for digital access (ensuring up-to-date information) including:

- Assembly, installation, and operation instructions.
- Maintenance and cleaning guidelines.
- Specific warnings regarding risks (e.g., electrical hazards, improper use, etc.).
- Safe disposal instructions, in compliance with environmental regulations.

Declaration of Safety and Compliance:

This product has been developed and manufactured following the highest safety and quality standards. It complies with the provisions of the GPSR 2023/988, including risk assessments, traceability measures, and conformity to the general safety requirements set by the European Union.

Important Note: This product has been assessed for compliance with all relevant safety standards under GPSR 2023/988. By following the provided instructions and warnings, consumers can ensure safe and proper use of the product.

Product Identification and traceability:

Name (Registered trade name or registered Trademark)	EINAREX TECHNOLOGY CO., LIMITED
Address	Flat/Room 1101D, 11/F, Lippo Sun Plaza, 28 Canton Road
Postal code	999077
City/State/Province	Tsim Sha Tsui, Kowloon
Country	Hong Kong
Country of origin (of the products)	China

This product has been developed and manufactured following the highest safety and quality standards. It complies with the provisions of the GPSR 2023/988, including risk assessments, traceability measures, and conformity to the general safety requirements set by the European Union.

Name (Registered trade name or registered Trademark)	Rafael Jurado Rodriguez
Address	Camino de Gojar, 8
Postal code	18151
City/State/Province	Ogijares, Granada
Country	Spain

Contact Information:

For inquiries related to the safety or quality of this product, please contact:

Manufacturer support:

Phone:	+86 180 2440 2179
Email:	info@einarex.com
Website:	www.einarex.com

Authorized representative support (if applicable)

Phone:	+34 651 866 466
Email:	rafa@einarex.com



E I N A R E X

OUR TECHNOLOGY, YOUR STYLE

VENTUS V80

MORE INFORMATIONS AT einarex.com

