



EINAREX



PULSE PM300

INSTALLATION MANUAL

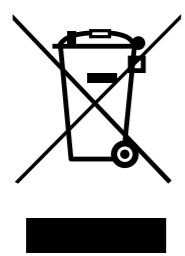


PULSE PM300



WARNING!

Only trained personnel may replace or repair components or elements of the product. To avoid damage to property or personal injury, please read the enclosed manual carefully before proper assembly and installation.



DISPOSAL

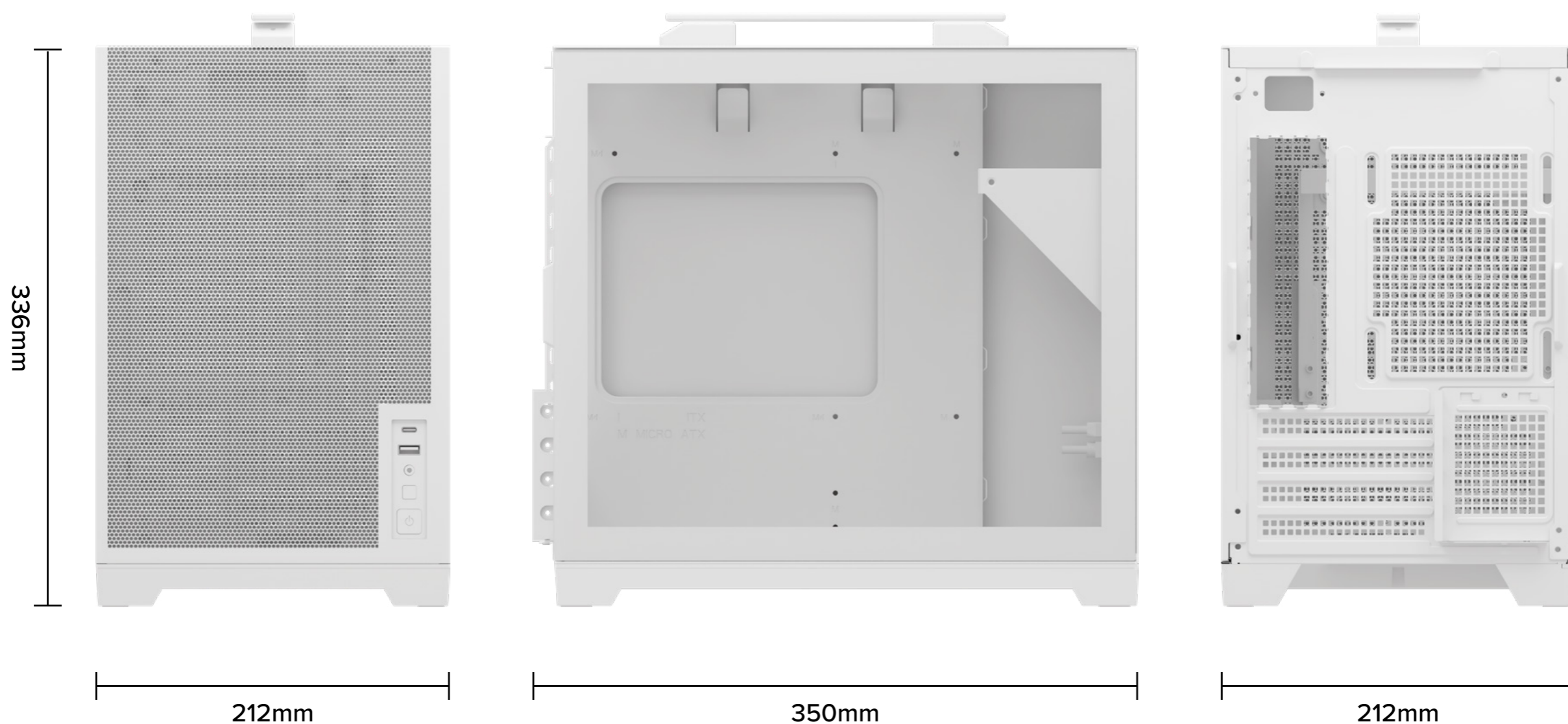
This product contains recyclable materials and should not be disposed of with regular household waste. To protect the environment, please dispose of this product at designated collection points in accordance with your local electronic waste recycling regulations. Proper recycling helps reduce environmental pollution and allows valuable materials to be reused. For detailed recycling guidelines, please contact your local waste management authority.



MAINTENANCE AND CLEANING

Before cleaning, ensure the power is turned off and the power cord is unplugged for safety. We recommend using a clean, dry cloth or soft brush to clean the case surface and dust filters to remove accumulated dust. If cleaning agents are necessary, please use neutral cleaning agents and avoid direct contact with electronic components. Ensure the product is completely dry before use. Do not use corrosive or abrasive cleaning products to prevent damage to the product surface.

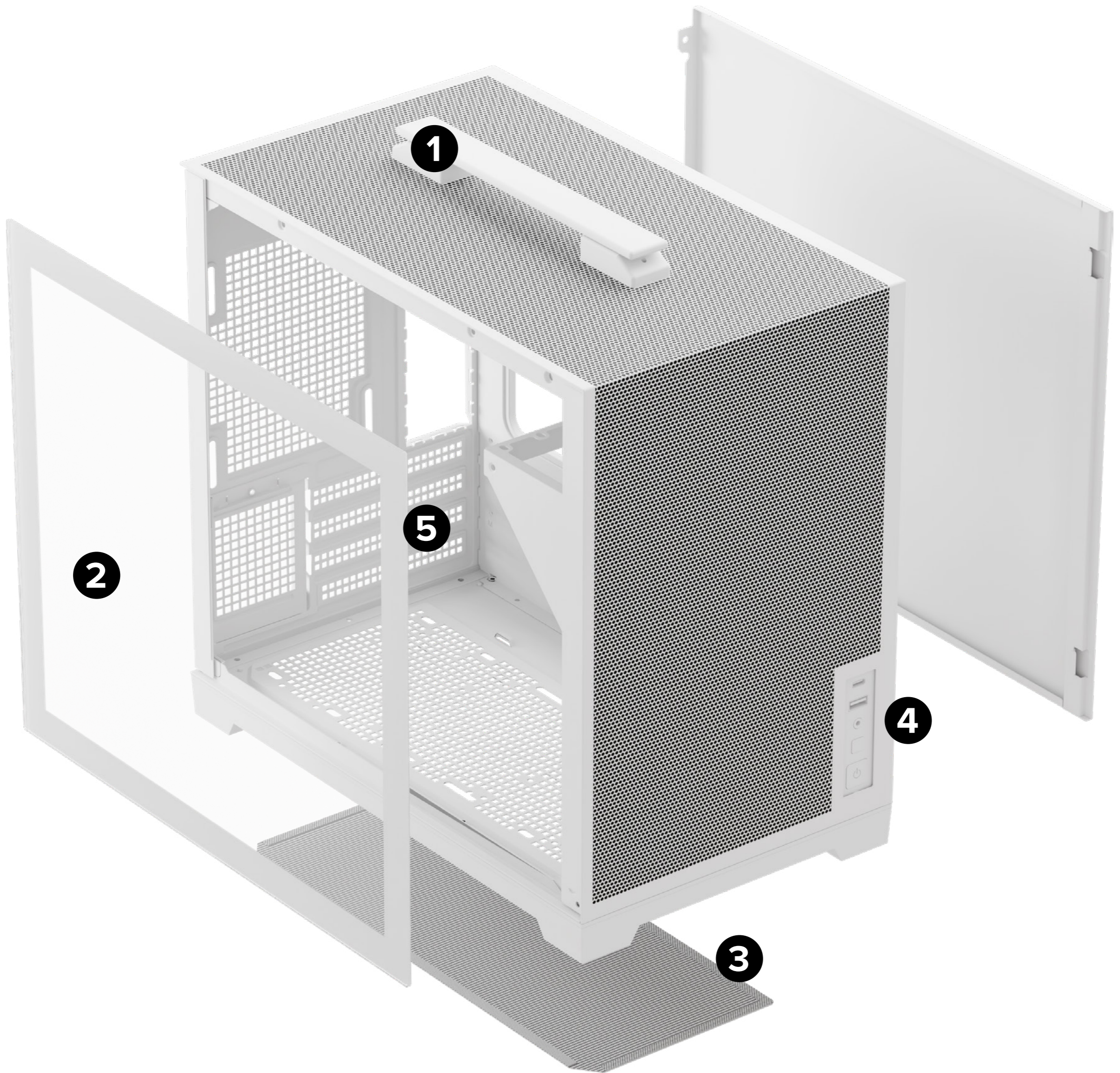
TECHNICAL SPECIFICATIONS



| | |
|--|--|
| Case Material | SPCC Steel, ABS, Tempered clear glass |
| Product Dimension (With feet) (HxWxD) | 350 x 212 x 336mm |
| Feet height | 27mm |
| Tempered Glass | Sliding Panel |
| Weight | 4.25 Kg |
| Motherboard Support | Micro ATX / Mini ITX |
| I/O Panel | 1x USB 3.0, 1x USB Type-C 1x Audio/mic Jack 3,5mm |
| Internal Bays | 2x 2.5" + 2x 3.5" 3x 2.5"+1 x 3.5" |
| PCIe slots | x4 |

| | |
|---------------------------------|--|
| Fan Support | Front: 90mm x 1 (with SFX / ATX PSU + air cooler) 120mm x 1 (with SFX PSU + air cooler) Top: 140mm x 2 / 120mm x 2 Rear: 120mm x 1 Foot: 120mm x 2 |
| Water Cooling Support | Top: up to 240mm |
| Max.Graphics Card Length | 340mm (with air cooler) 250mm (with water cooler) |
| Max.CPU Cooler Height | 175mm |
| Max.PSU Length | 150mm |
| Cable management | 12mm |

PC CASE GENERAL DIAGRAM



1 Portable handle

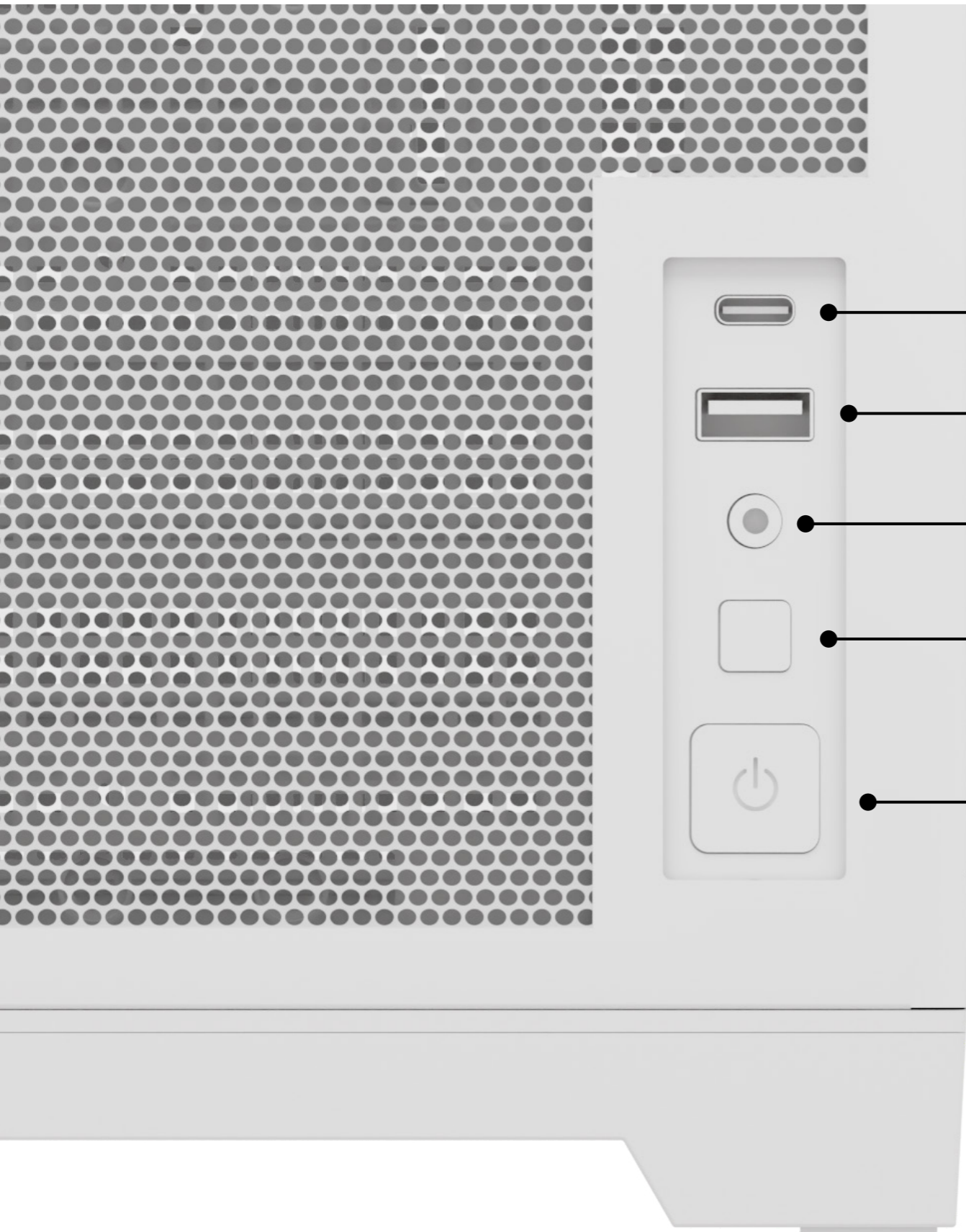
2 Tempered glass

3 Dust filter

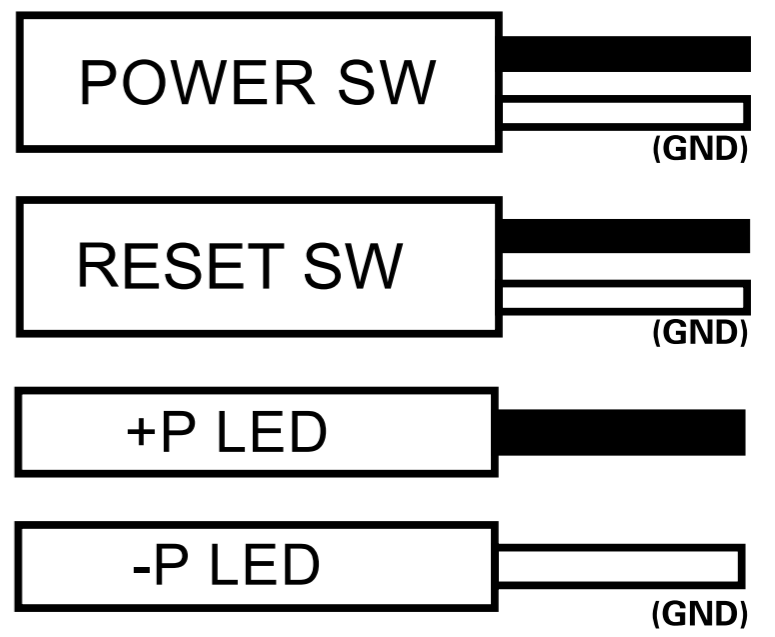
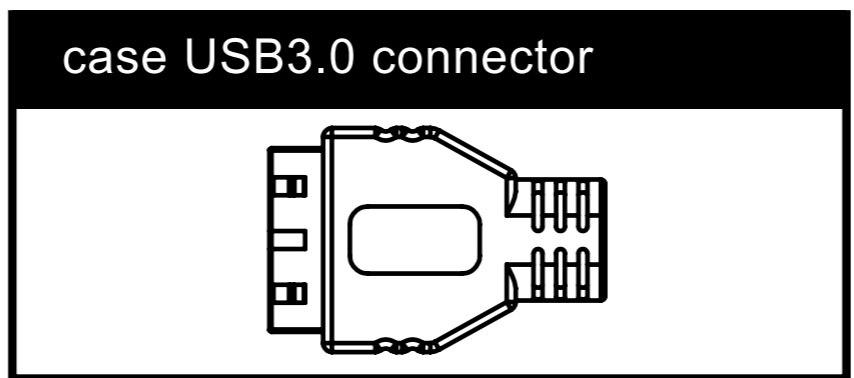
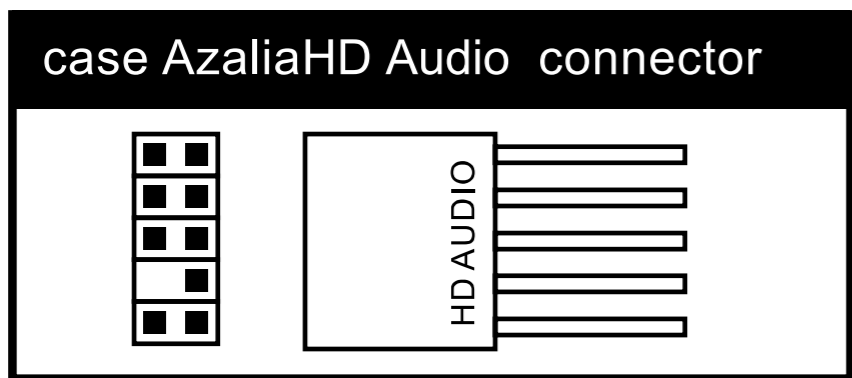
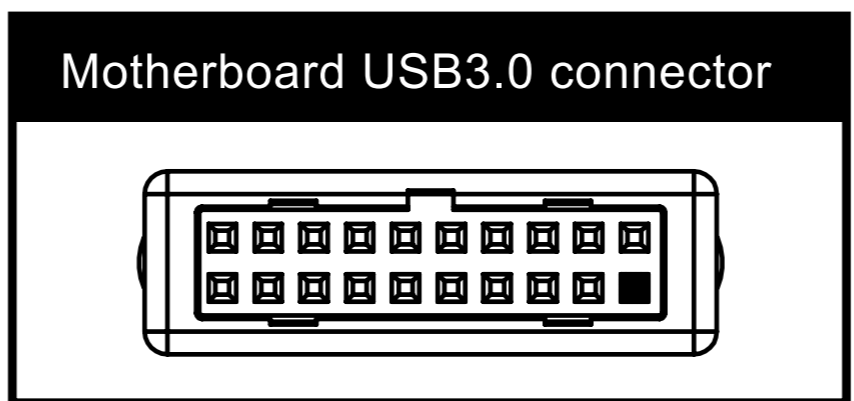
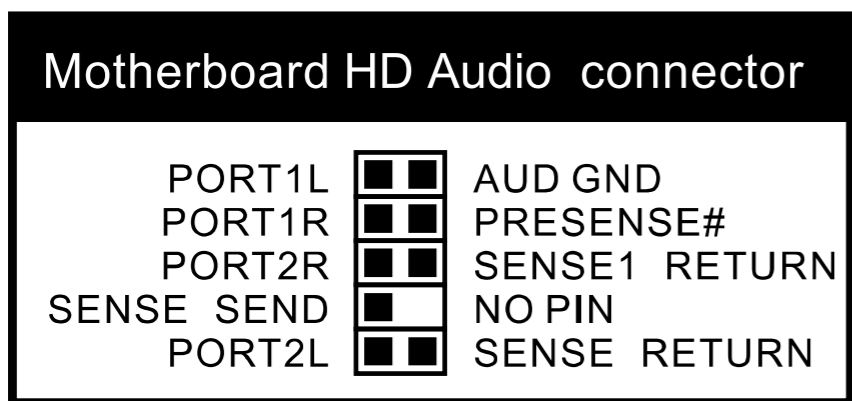
4 I/O panel

5 PCI expansion bays

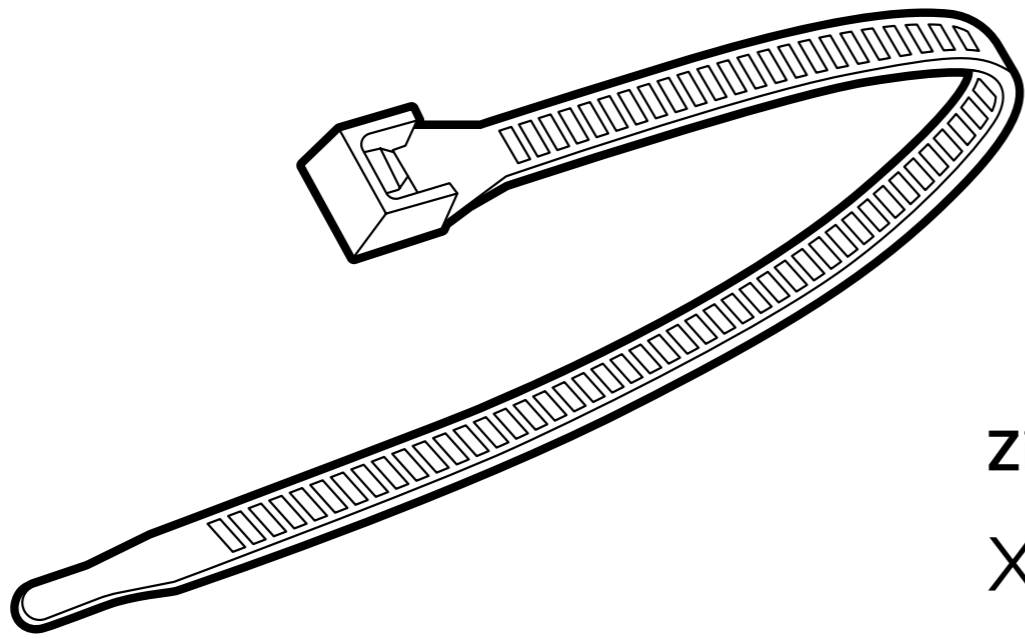
FRONT PANEL I/O AND MOTHERBOARD CONNECTORS



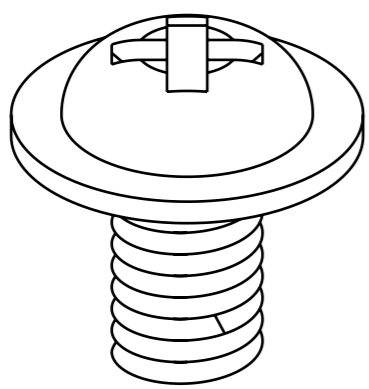
- USB Type-C
- USB 3.0
- HD Audio
- Reset
- Power



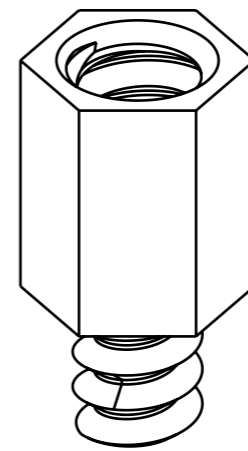
ACCESSORY BOX



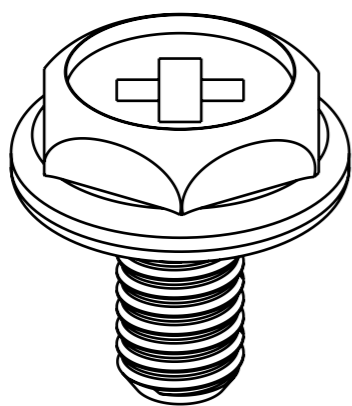
Zip ties
x5



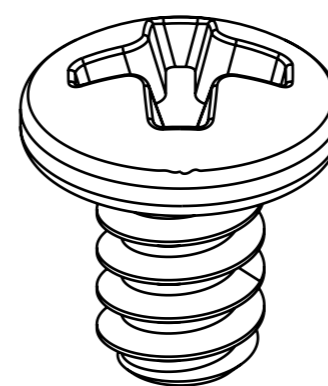
Motherboard /
SSD screws
M3 × 5 mm
x14



Motherboard standoffs
#6-32 × 6.5 mm
x2

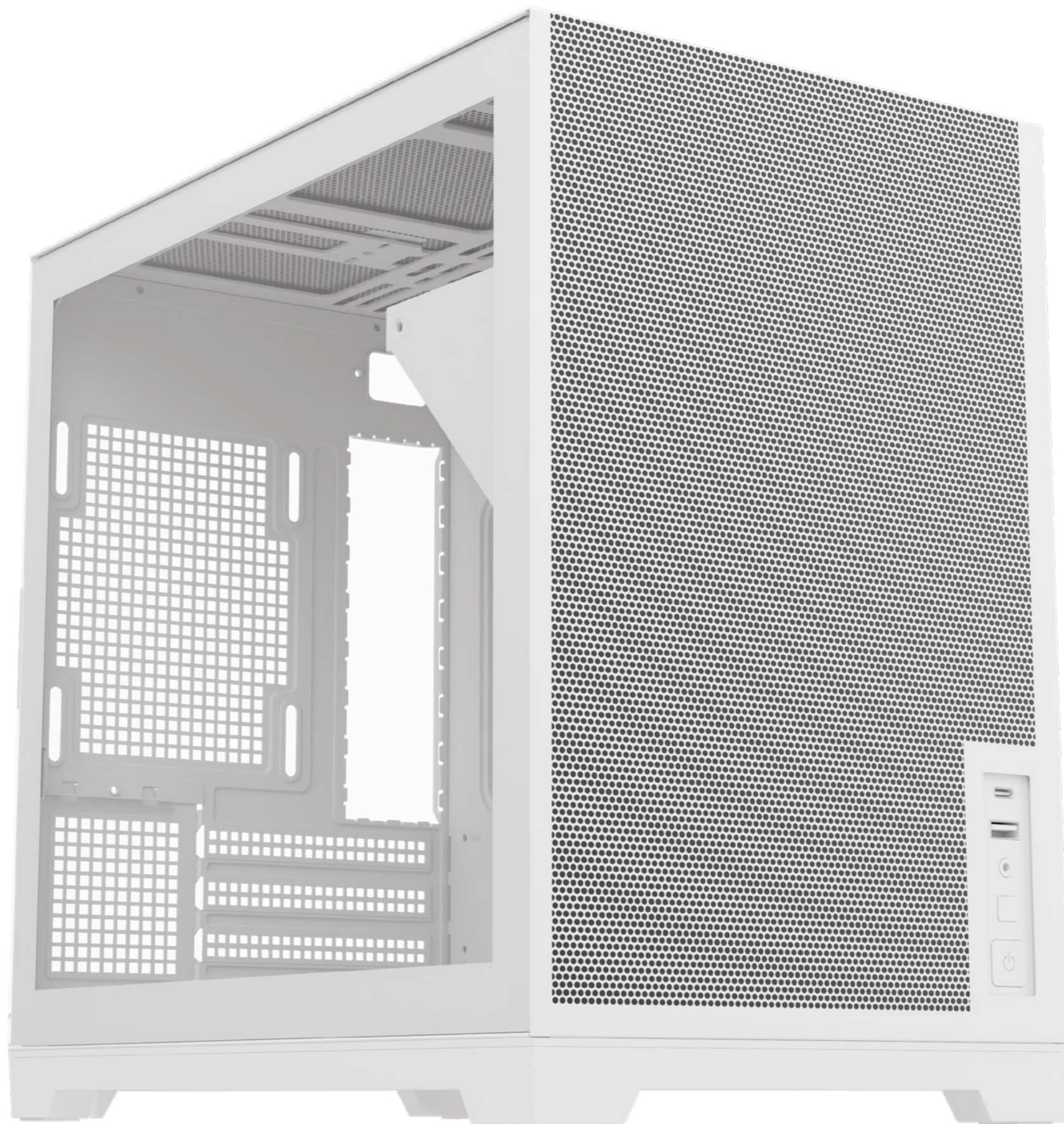


PCIe/
GPU bracket screws
#6-32 × 6 mm
x8



HDD mounting screws
#6-32 × 5 mm
x8

BASIC INSTALLATION



A Disassemble Side Panels and Front Panel

B Installation of Power Supply

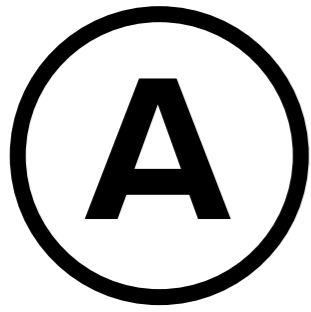
C Installation of the Motherboard

D Installation HDD/SSD

E Installation of GPU/PCIe Slot

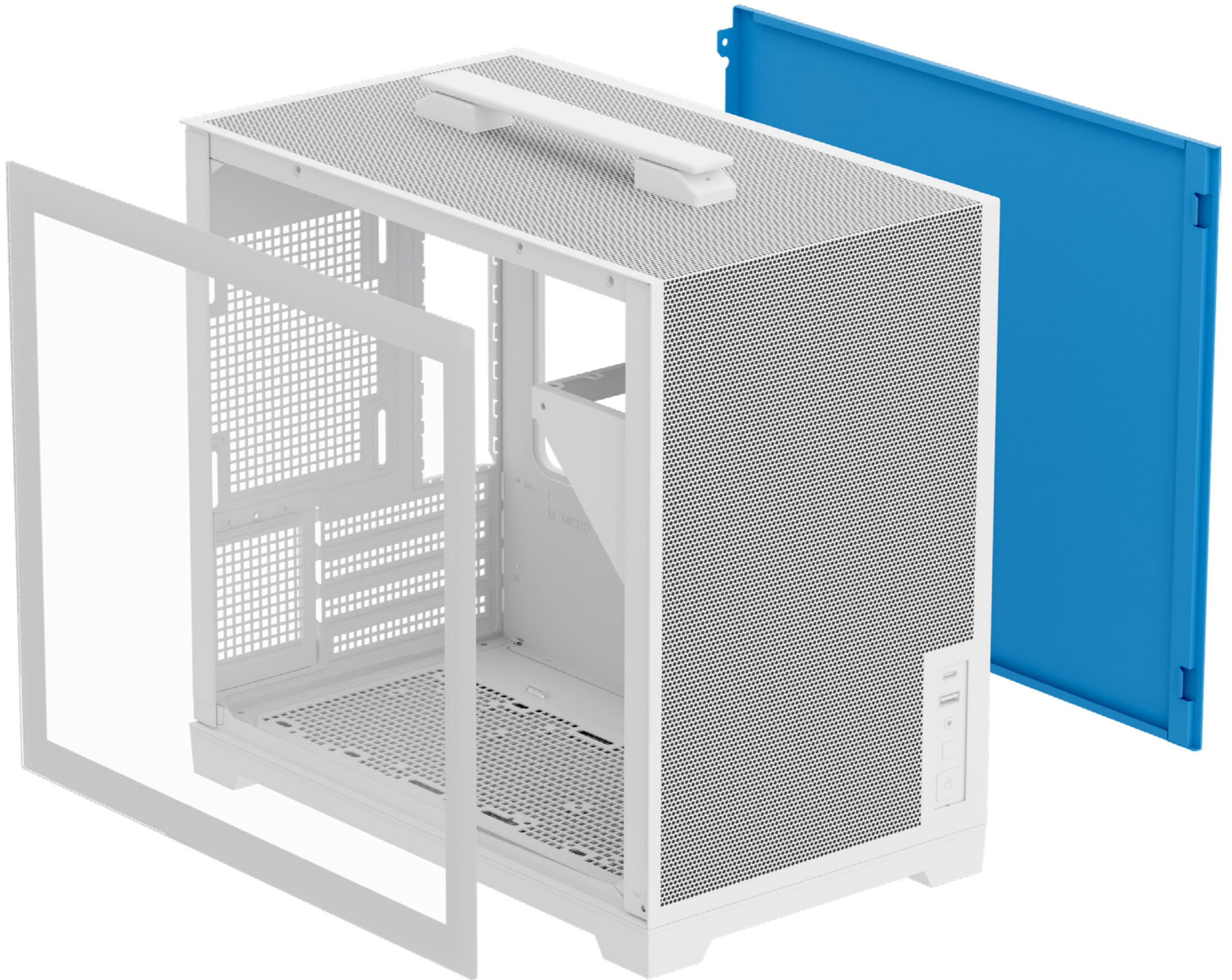
F Installation of Fan and Radiator (Optional)

G Optional Accesories



BASIC INSTALLATION

Disassemble Side Panels and Front Panel



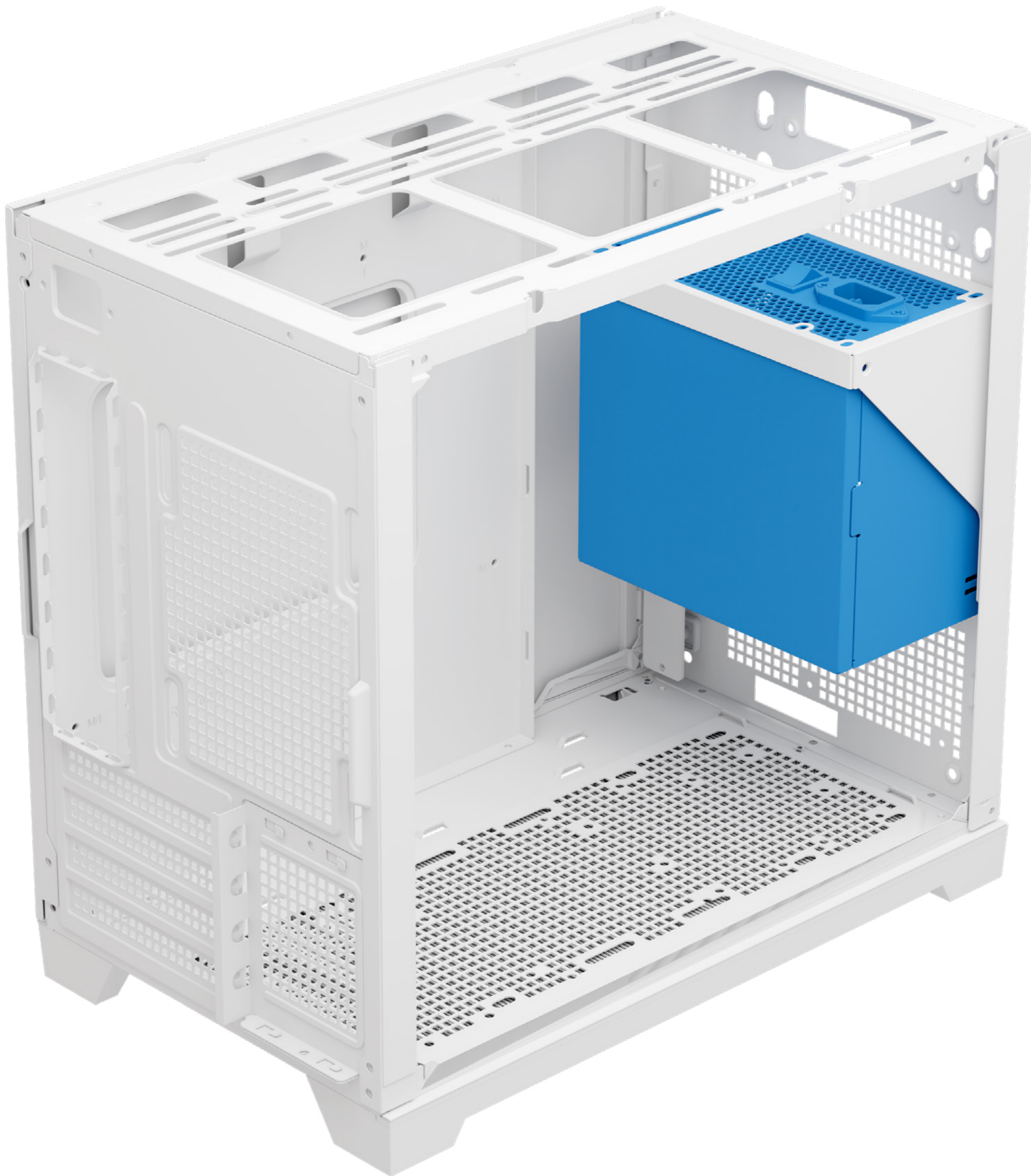
Tempered Glass
handle with care

Before installation, remove the side panels, front panel, and tempered glass carefully to avoid scratches or damage. Handle the glass with care and place all panels on a soft surface while assembling the system. This will ensure an easier and safer installation process.

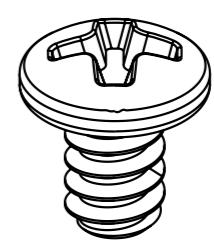
B

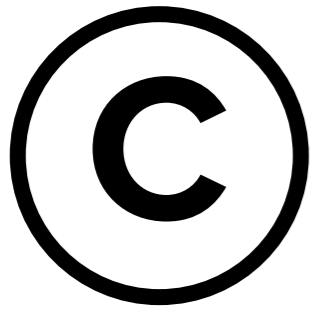
BASIC INSTALLATION

Installation of Power Supply



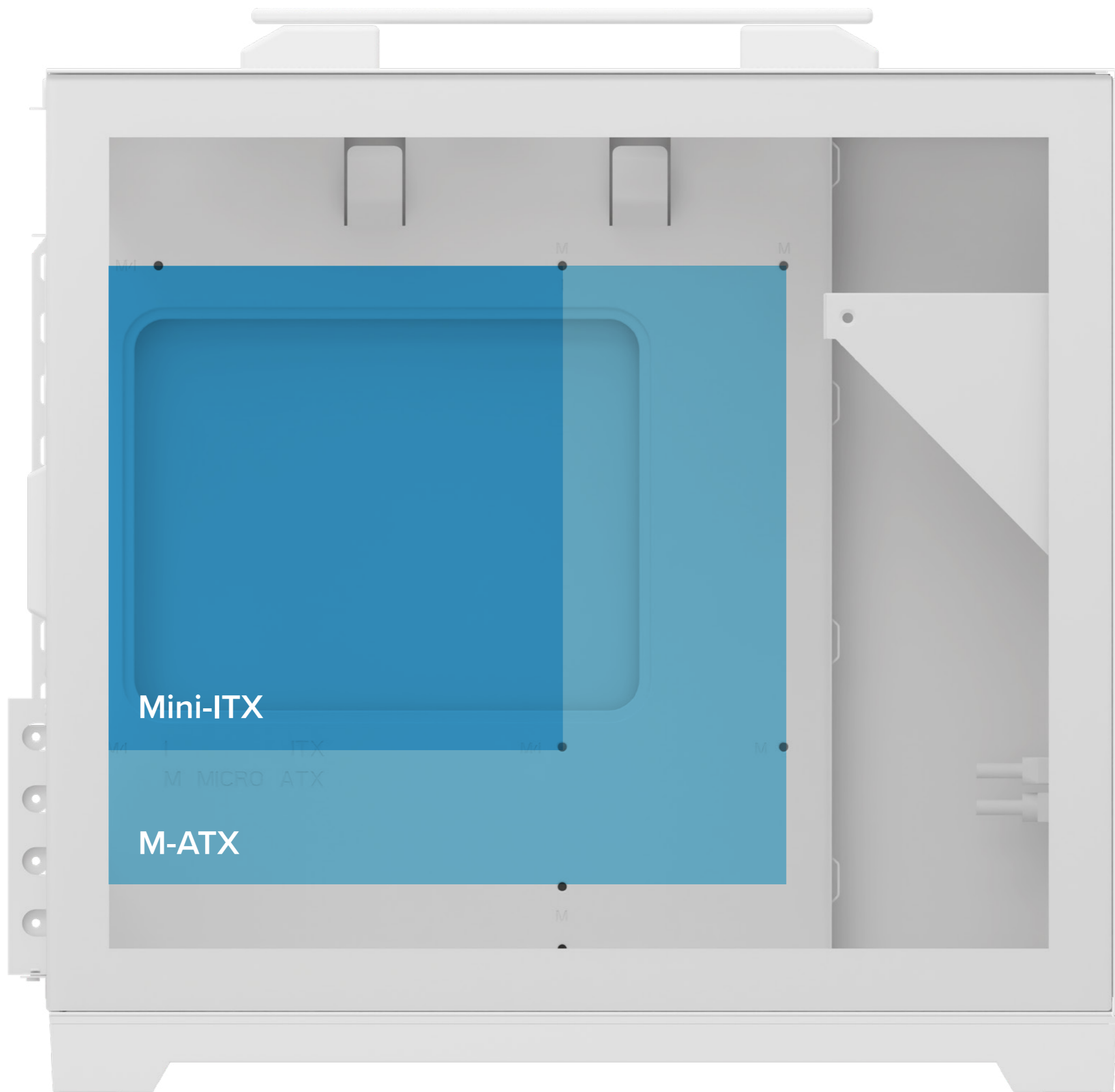
Ensure the power supply fan faces the case ventilation openings for proper airflow and cooling efficiency, then slide the PSU into position and secure it with the provided screws from the rear side of the case, making sure all cables are clear of any moving parts before continuing the installation.





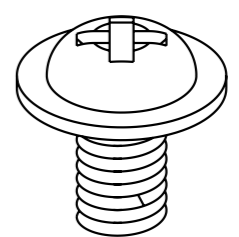
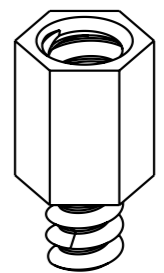
BASIC INSTALLATION

Installation of the Motherboard



Ensure the motherboard mounting holes align with the pre-installed standoffs. Secure the motherboard using the “M3 × 5 mm” screws (Motherboard/SSD screws).

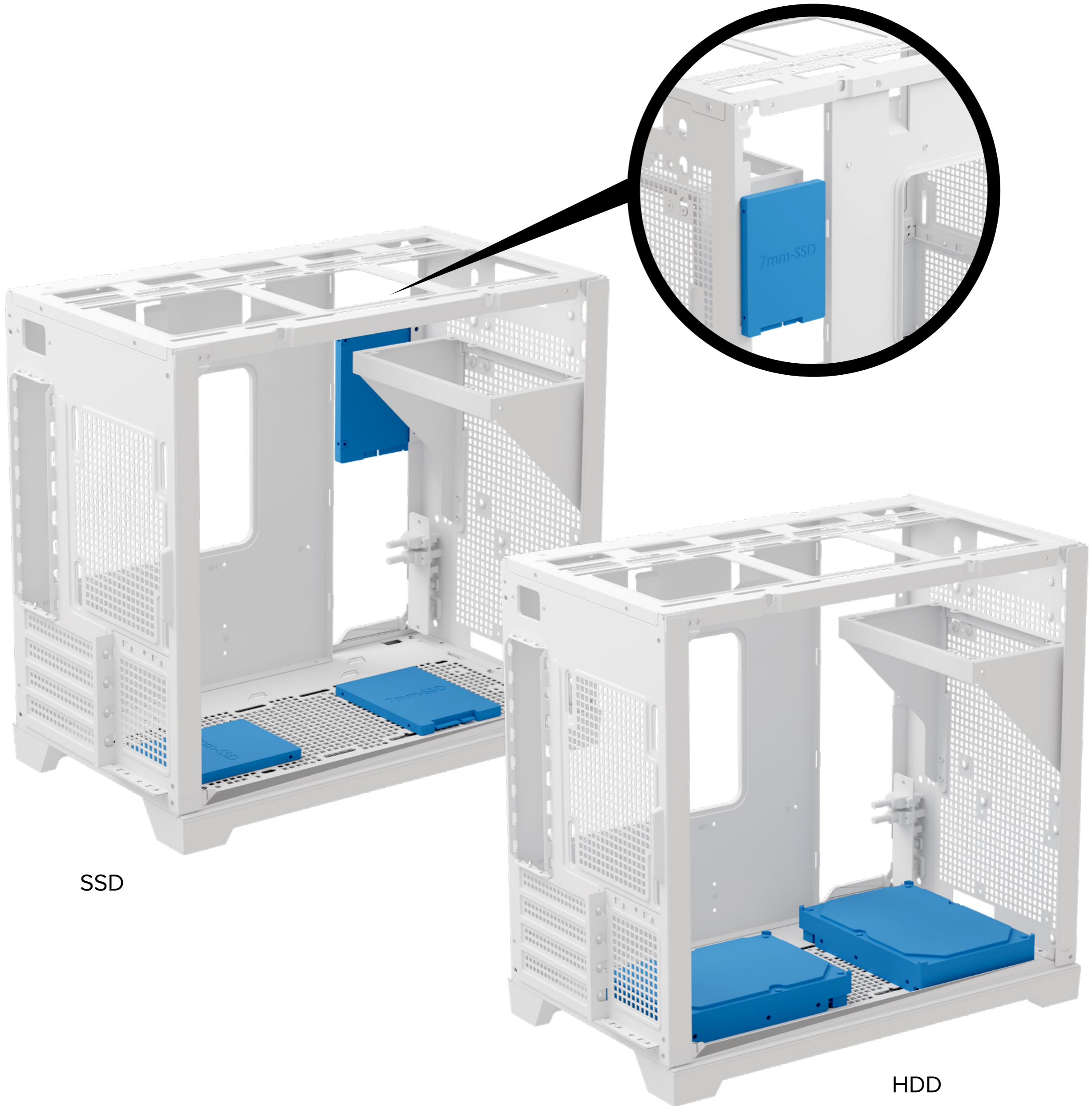
Note: If any standoff becomes detached from the chassis, re-secure it to the case using “#6-32 × 6.5 mm” screws (Motherboard standoff screws).



D

BASIC INSTALLATION

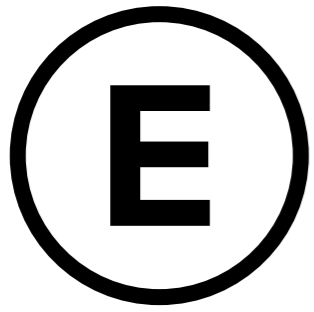
Installation HDD/SSD



SSD

HDD

The hard disk enclosure supports both SSD and HDD. Unscrew the enclosure, place the drive inside, and secure it with the provided screws. Make sure the connectors face outward for easy cable access during installation.



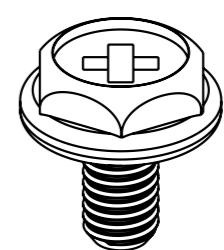
BASIC INSTALLATION

Installation of GPU/PCIe Slot



340mm (with air cooler)
250mm (with water cooler)

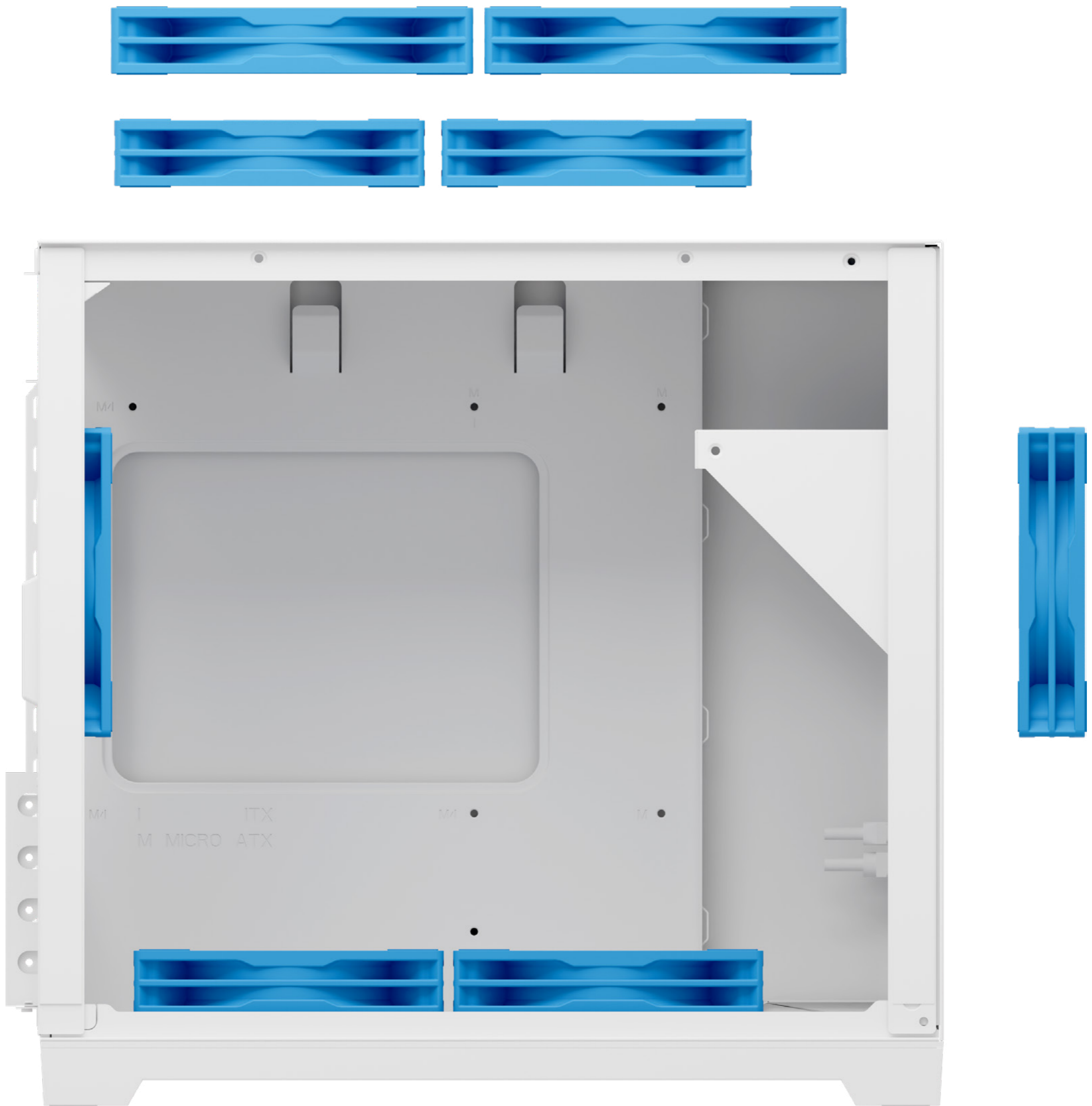
Remove the required PCIe slot cover.
Align the graphics card with the motherboard PCIe slot, then insert it firmly. Secure the graphics card bracket to the case using “#6-32 × 6 mm” screws (PCIe/GPU bracket screws).





BASIC INSTALLATION

Installation of Fan and Radiator (Optional)



Fans installation options

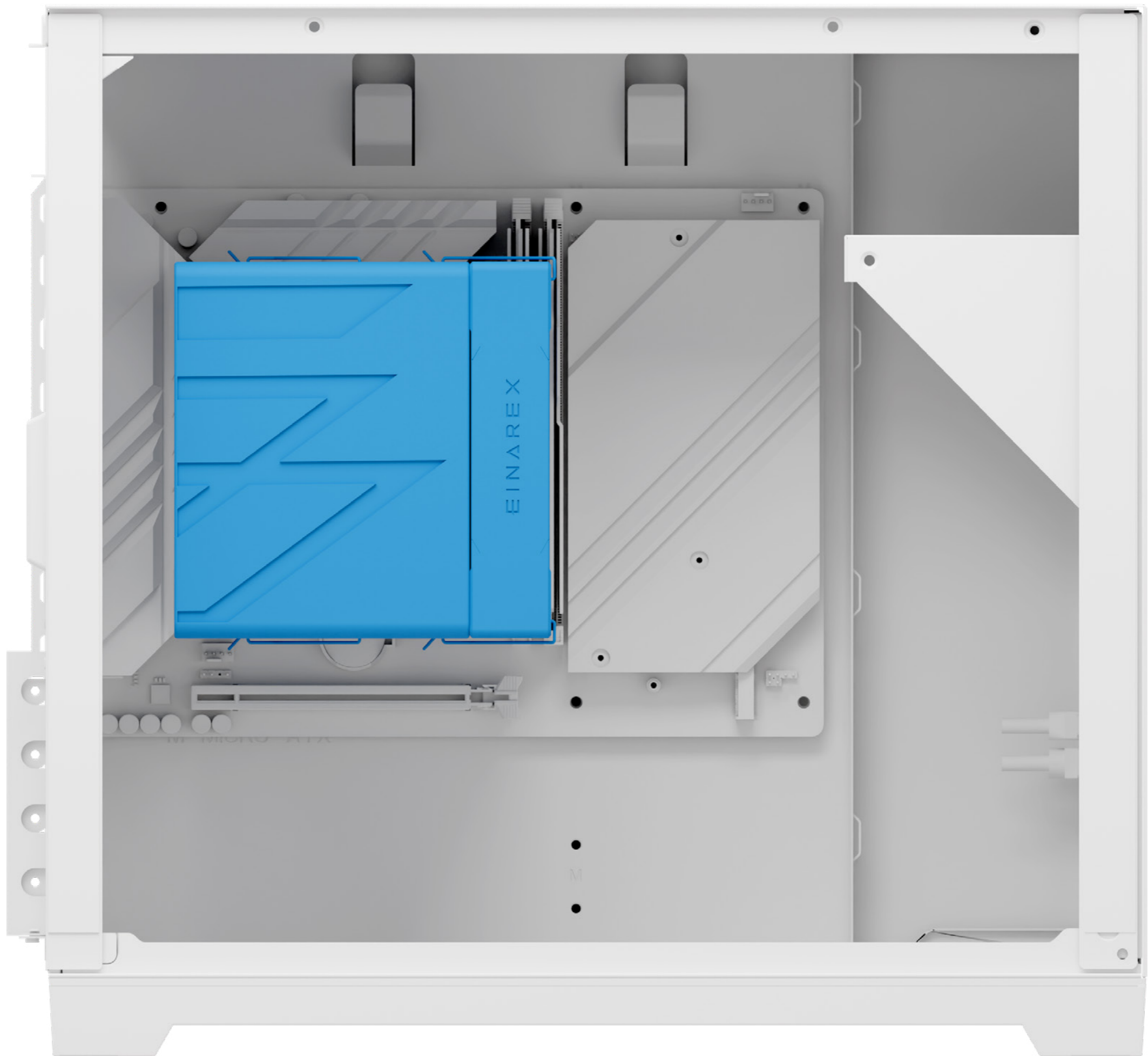
Front: 90mm x 1 (with SFX / ATX PSU + air cooler)
120mm x 1 (with SFX PSU + air cooler)

Top: 140mm x 2 / 120mm x 2
Rear: 120mm x 1
Foot: 120mm x 2

F

BASIC INSTALLATION

Installation of Fan and Radiator (Optional)



Radiator and Heatsink installation options

Watercooler
Top: 240mm

CPU cooler
175mm height

Compliance with the EU General Product Safety Regulation (GPSR)

In accordance with the new General Product Safety Regulation (GPSR), which ensures the safety and quality of products in the European market, we provide the following detailed information for transparency and compliance with EU requirements for our customers and partners:

Product Identification and traceability:

- Product Name: [Full product name]
- Model or Reference Code: [Product model or reference code]
- Batch or Serial Number: [Batch or serial number for traceability]
- Intended Use: [Brief description of the product's intended use]

User Instructions and Warnings:

To ensure safe and proper use of the product, a detailed User Manual is provided as QR code for digital access (ensuring up-to-date information) including:

- Assembly, installation, and operation instructions.
- Maintenance and cleaning guidelines.
- Specific warnings regarding risks (e.g., electrical hazards, improper use, etc.).
- Safe disposal instructions, in compliance with environmental regulations.

Declaration of Safety and Compliance:

This product has been developed and manufactured following the highest safety and quality standards. It complies with the provisions of the GPSR 2023/988, including risk assessments, traceability measures, and conformity to the general safety requirements set by the European Union.

Important Note: This product has been assessed for compliance with all relevant safety standards under GPSR 2023/988. By following the provided instructions and warnings, consumers can ensure safe and proper use of the product.

Product Identification and traceability:

| | |
|--|--|
| Name (Registered trade name or registered Trademark) | EINAREX TECHNOLOGY CO., LIMITED |
| Address | Flat/Room 1101D, 11/F, Lippo Sun Plaza, 28 Canton Road |
| Postal code | 999077 |
| City/State/Province | Tsim Sha Tsui, Kowloon |
| Country | Hong Kong |
| Country of origin (of the products) | China |

This product has been developed and manufactured following the highest safety and quality standards. It complies with the provisions of the GPSR 2023/988, including risk assessments, traceability measures, and conformity to the general safety requirements set by the European Union.

| | |
|--|-------------------------|
| Name (Registered trade name or registered Trademark) | Rafael Jurado Rodriguez |
| Address | Camino de Gojar, 8 |
| Postal code | 18151 |
| City/State/Province | Ogijares, Granada |
| Country | Spain |

Contact Information:

For inquiries related to the safety or quality of this product, please contact:

Manufacturer support:

| | |
|----------|-------------------|
| Phone: | +86 180 2440 2179 |
| Email: | info@einarex.com |
| Website: | www.einarex.com |

Authorized representative support (if applicable)

| | |
|--------|------------------|
| Phone: | +34 651 866 466 |
| Email: | rafa@einarex.com |



E I N A R E X

OUR TECHNOLOGY, YOUR STYLE

PULSE

PM300

MORE INFORMATIONS AT einarex.com

