



EINAREX



PRISMA SM300

INSTALLATION MANUAL

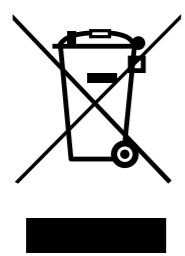


PRISMA SM300



WARNING!

Only trained personnel may replace or repair components or elements of the product. To avoid damage to property or personal injury, please read the enclosed manual carefully before proper assembly and installation.



DISPOSAL

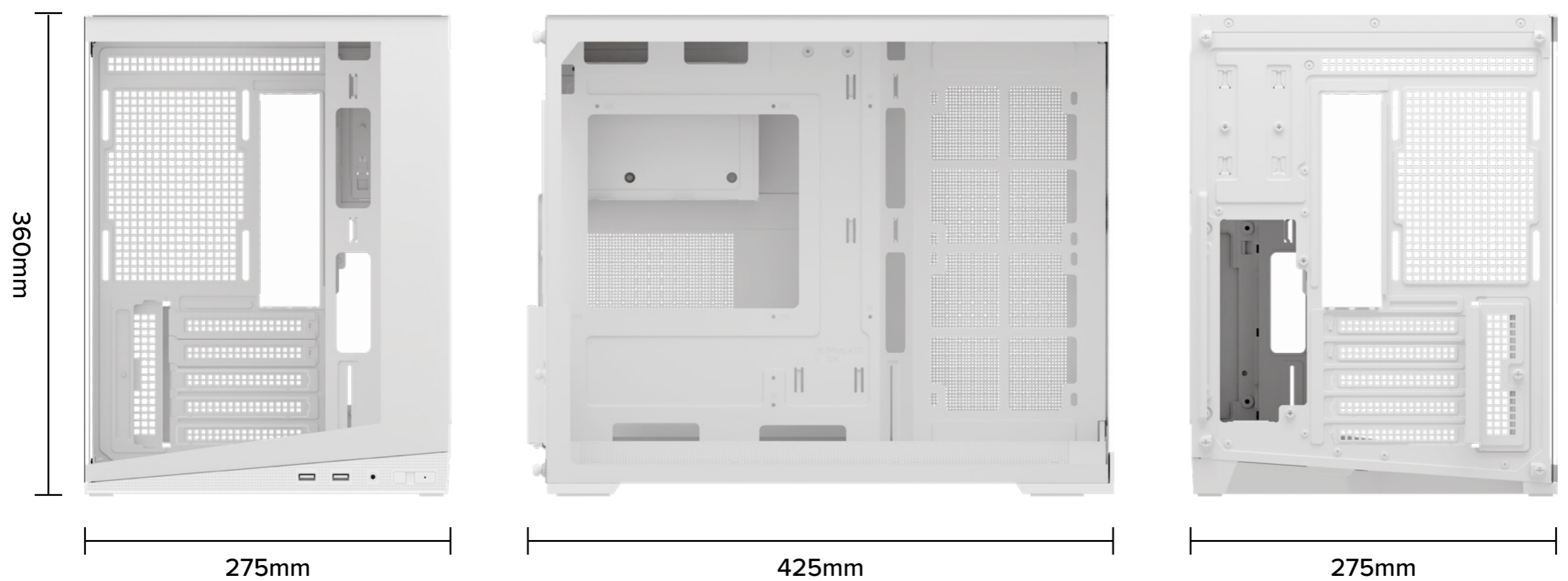
This product contains recyclable materials and should not be disposed of with regular household waste. To protect the environment, please dispose of this product at designated collection points in accordance with your local electronic waste recycling regulations. Proper recycling helps reduce environmental pollution and allows valuable materials to be reused. For detailed recycling guidelines, please contact your local waste management authority.



MAINTENANCE AND CLEANING

Before cleaning, ensure the power is turned off and the power cord is unplugged for safety. We recommend using a clean, dry cloth or soft brush to clean the case surface and dust filters to remove accumulated dust. If cleaning agents are necessary, please use neutral cleaning agents and avoid direct contact with electronic components. Ensure the product is completely dry before use. Do not use corrosive or abrasive cleaning products to prevent damage to the product surface.

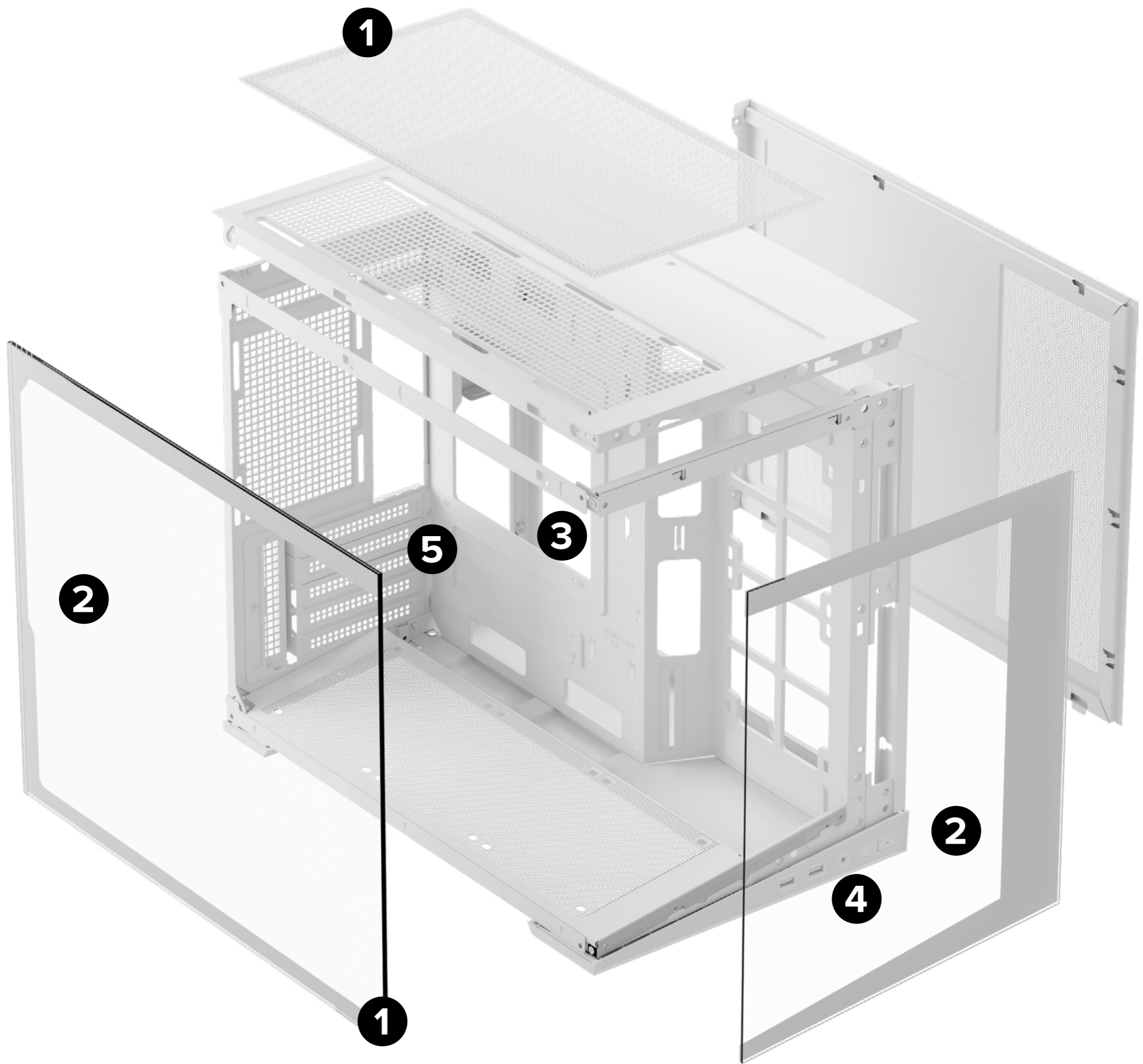
TECHNICAL SPECIFICATIONS



Case Material	SPCC Steel, ABS, Tempered clear glass
Product Dimension (With feet) (HxWxD)	425 x 275 x 360mm
Tempered Glass	Sliding Panel
Weight	5.35 Kg
Motherboard Support	Micro ATX / Mini ITX
I/O Panel	1x USB 3.0, 1x USB 2.0 1x Audio/mic Jack 3,5mm
Internal Bays	2x 2.5" + 1x 3.5"
PCIe slots	x5

Fan Support	Top: 120mm x 3 MB cover: 120mm x 2 Bottom: 120mm x 3 Rear: 120mm x 1
Water Cooling Support	Top: 360 / 240mm
Max.Graphics Card Length	415mm
Max.CPU Cooler Height	160mm
Max.PSU Length	180mm
Cable management	90mm

PC CASE GENERAL DIAGRAM



1 Dust filter

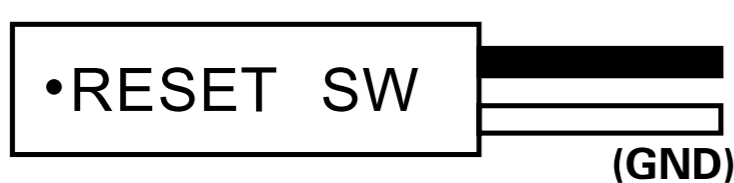
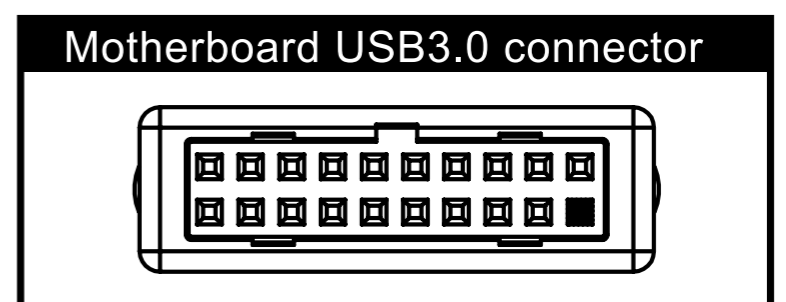
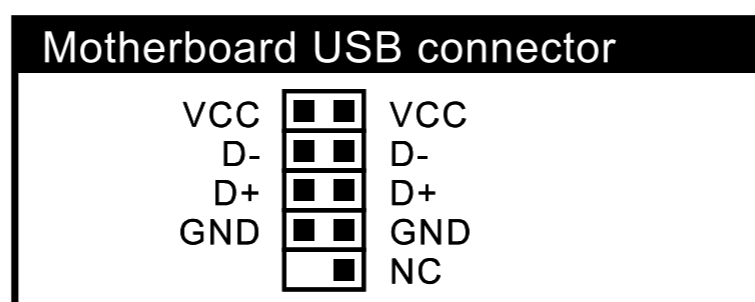
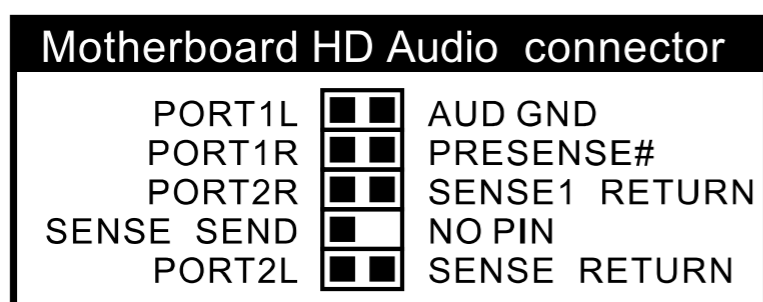
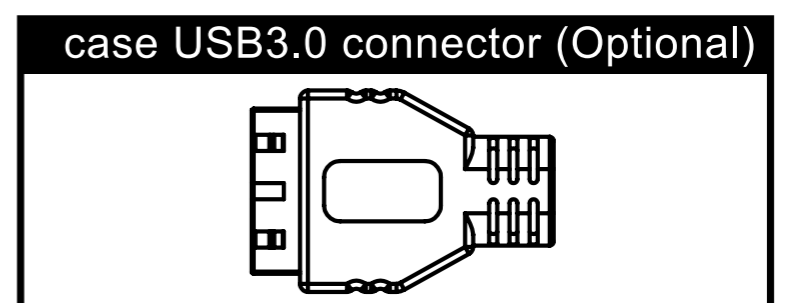
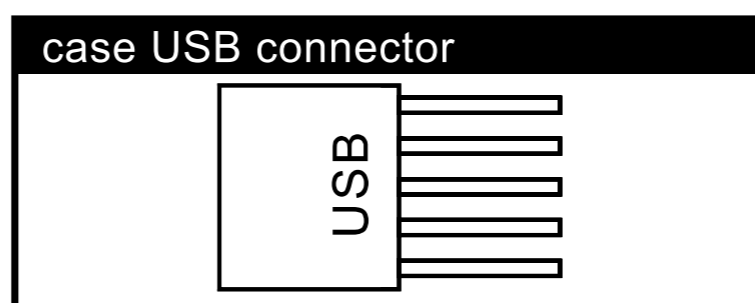
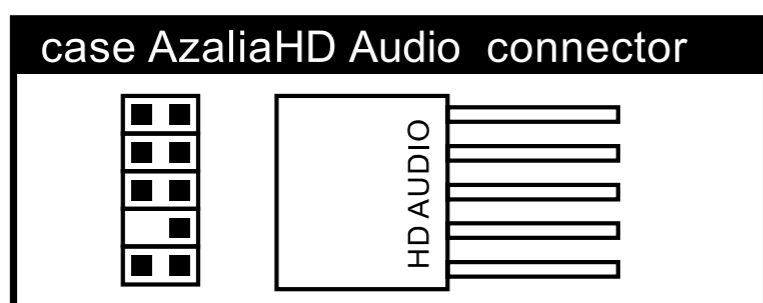
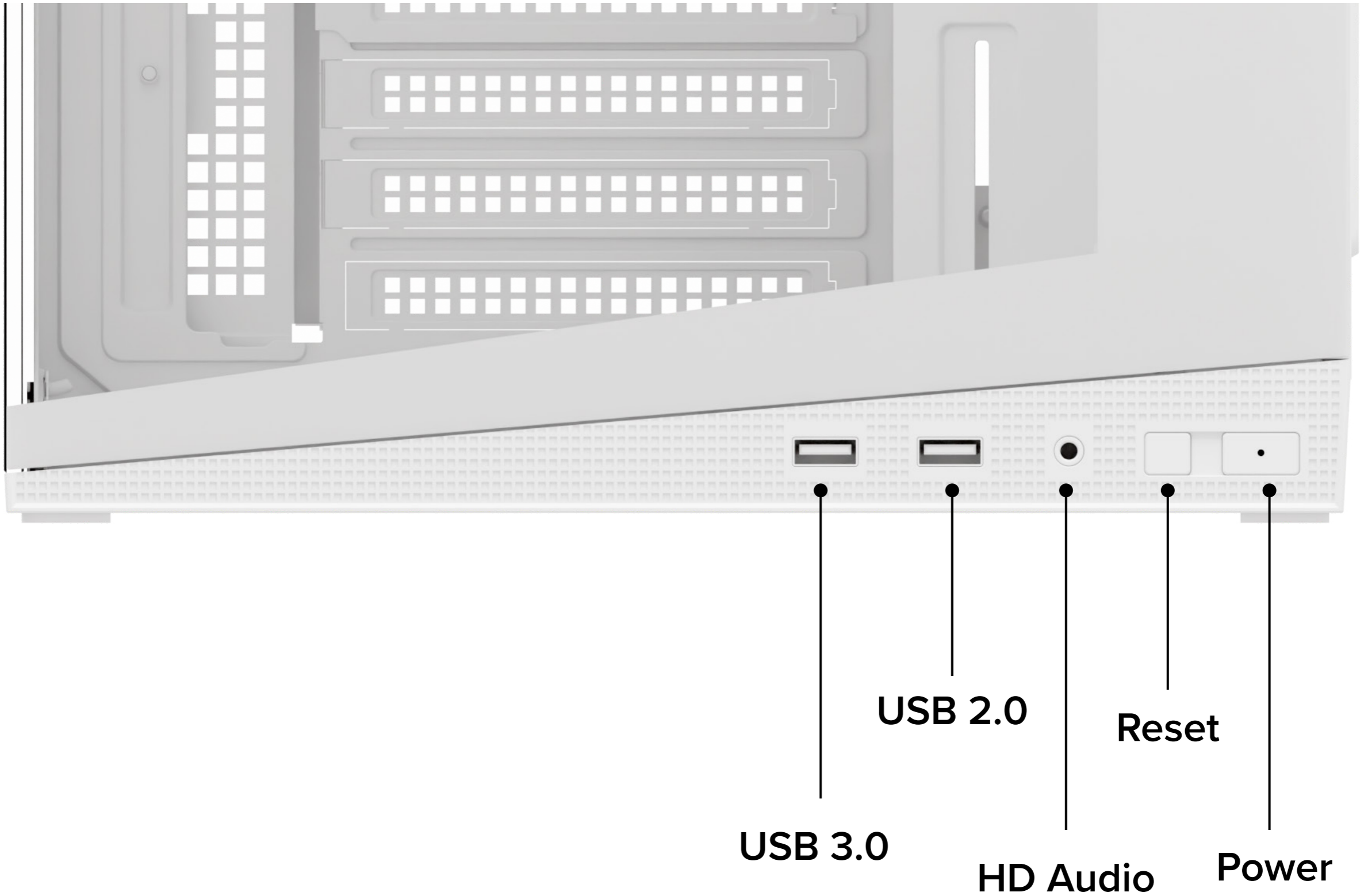
2 Tempered glass

3 Dual-chamber layout

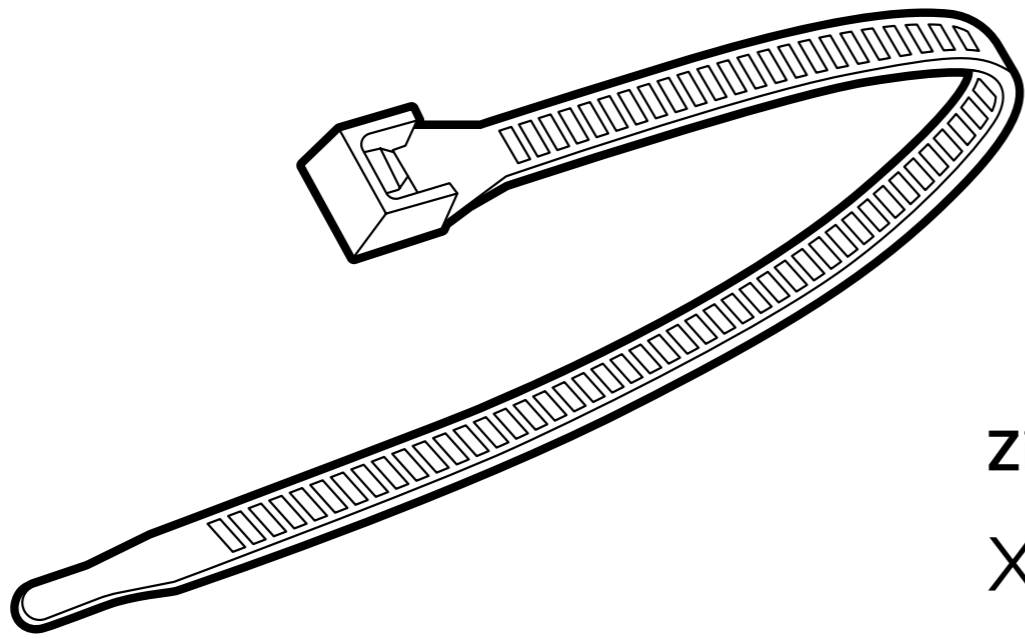
4 I/O panel

5 PCI expansion bays

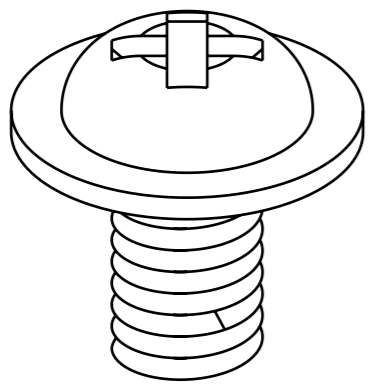
FRONT PANEL I/O AND MOTHERBOARD CONNECTORS



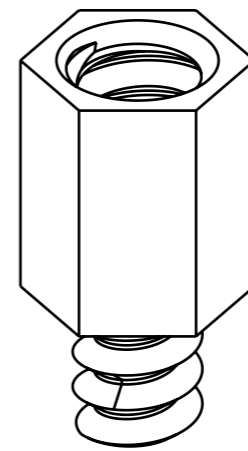
ACCESSORY BOX



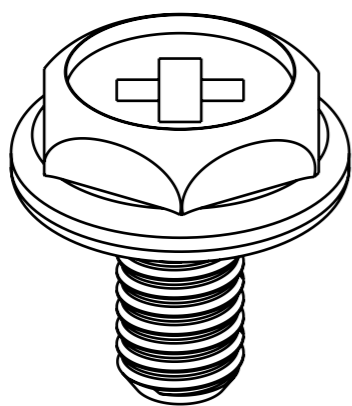
Zip ties
x5



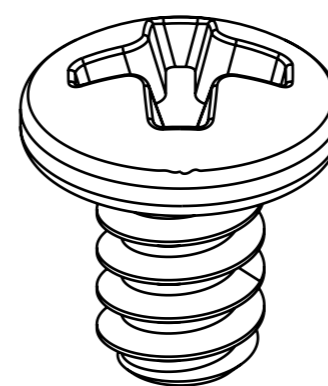
Motherboard /
SSD screws
M3 × 5 mm
x11



Motherboard standoffs
#6-32 × 6.5 mm
x3



PCIe/
GPU bracket screws
#6-32 × 6 mm
x6



HDD mounting screws
#6-32 × 5 mm
x8

BASIC INSTALLATION



A Disassemble Side Panels and Front Panel

B Installation of Power Supply

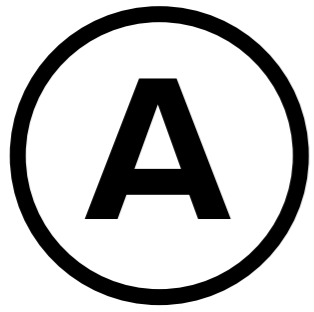
C Installation of the Motherboard

D Installation HDD/SSD

E Installation of GPU/PCIe Slot

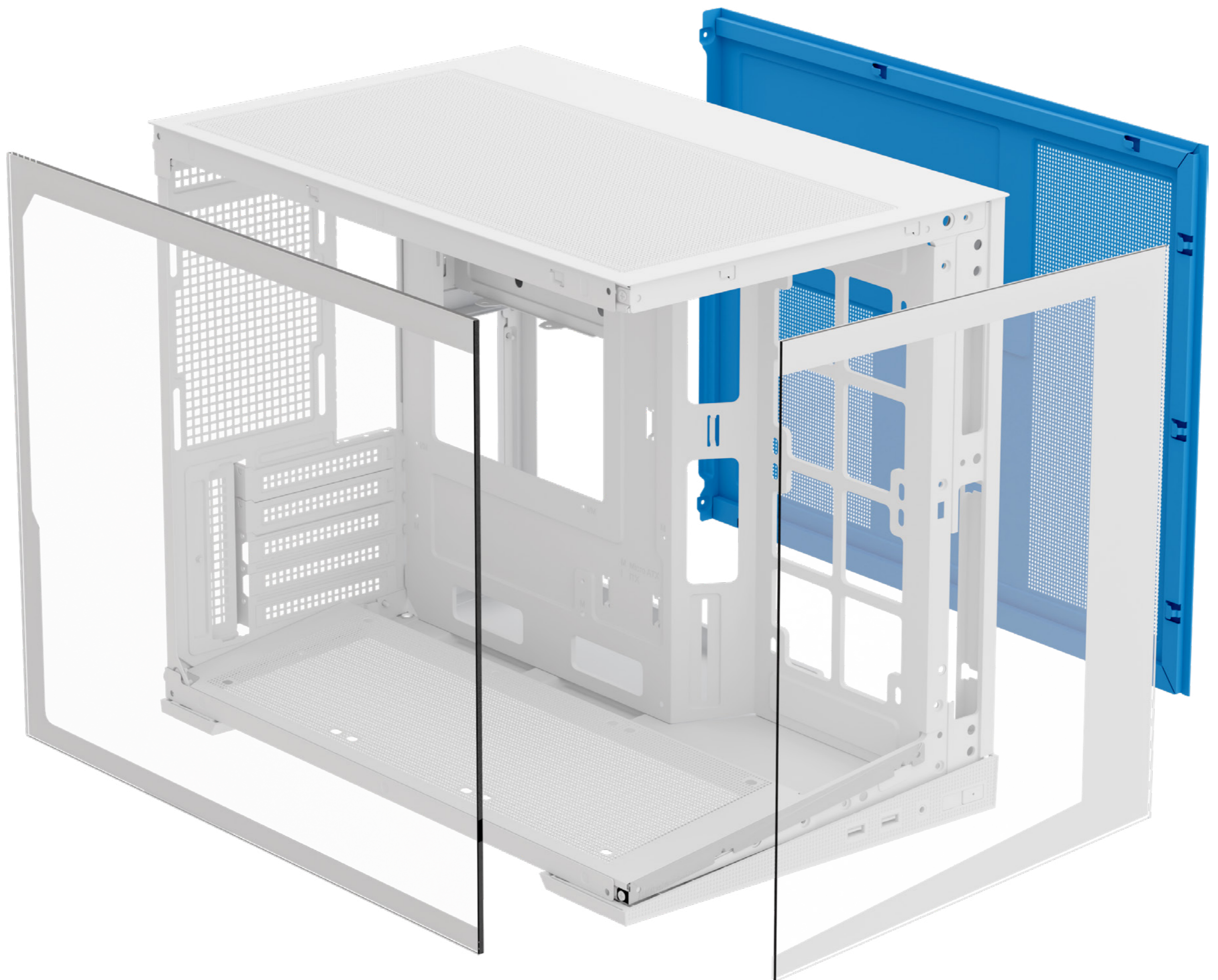
F Installation of Fan and Radiator (Optional)

G Optional Accesories



BASIC INSTALLATION

Disassemble Side Panels and Front Panel



Tempered Glass
handle with care

Before installation, remove the side panels, front panel, and tempered glass carefully to avoid scratches or damage. Handle the glass with care and place all panels on a soft surface while assembling the system. This will ensure an easier and safer installation process.

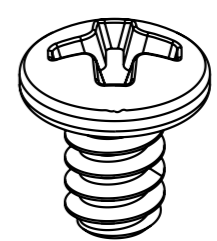
B

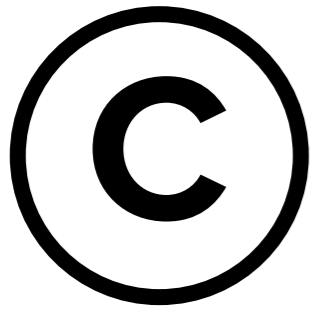
BASIC INSTALLATION

Installation of Power Supply



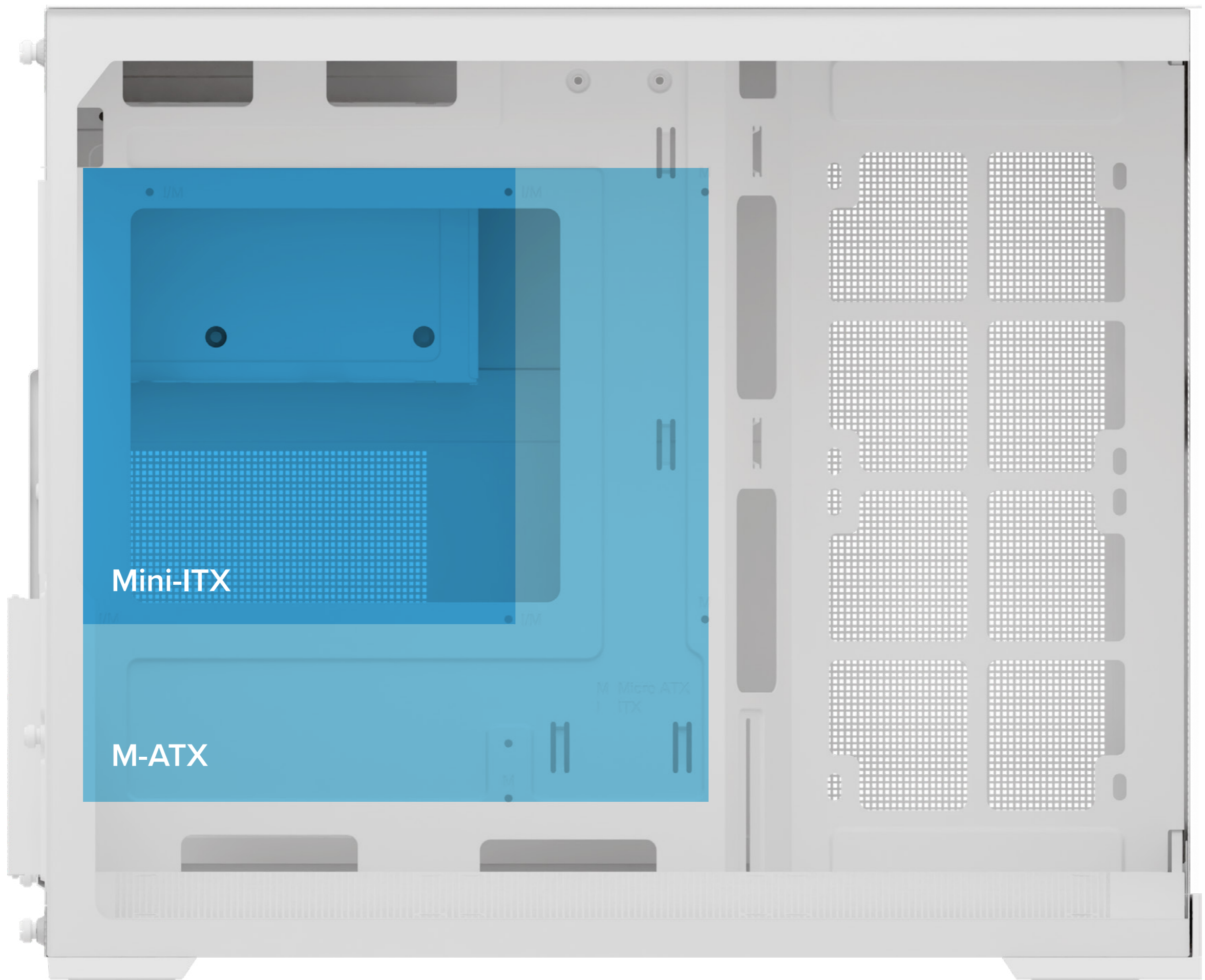
Ensure the power supply fan faces the case ventilation openings for proper airflow and cooling efficiency, then slide the PSU into position and secure it with the provided screws from the rear side of the case, making sure all cables are clear of any moving parts before continuing the installation.





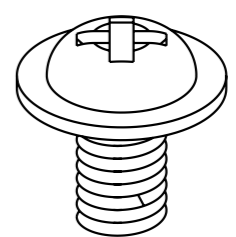
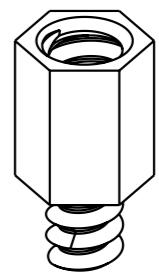
BASIC INSTALLATION

Installation of the Motherboard



Ensure the motherboard mounting holes align with the pre-installed standoffs. Secure the motherboard using the “M3 × 5 mm” screws (Motherboard/SSD screws).

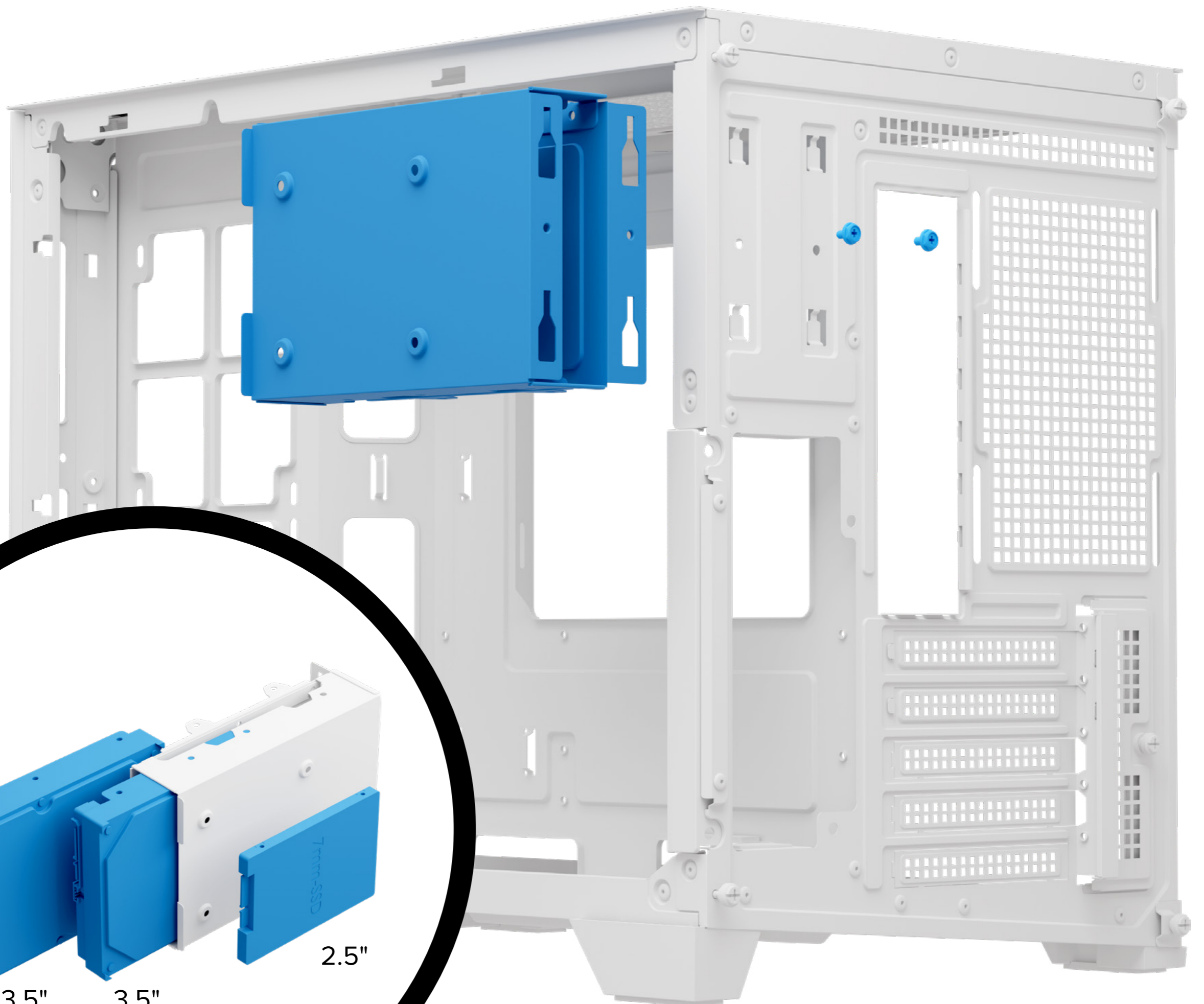
Note: If any standoff becomes detached from the chassis, re-secure it to the case using “#6-32 × 6.5 mm” screws (Motherboard standoff screws).



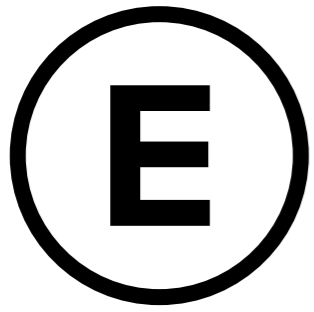
D

BASIC INSTALLATION

Installation HDD/SSD



The hard disk enclosure supports both SSD and HDD. Unscrew the enclosure, place the drive inside, and secure it with the provided screws. Make sure the connectors face outward for easy cable access during installation.



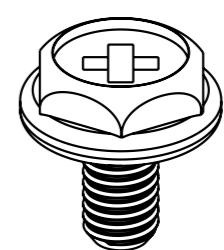
BASIC INSTALLATION

Installation of GPU/PCIe Slot



Remove the required PCIe slot cover.

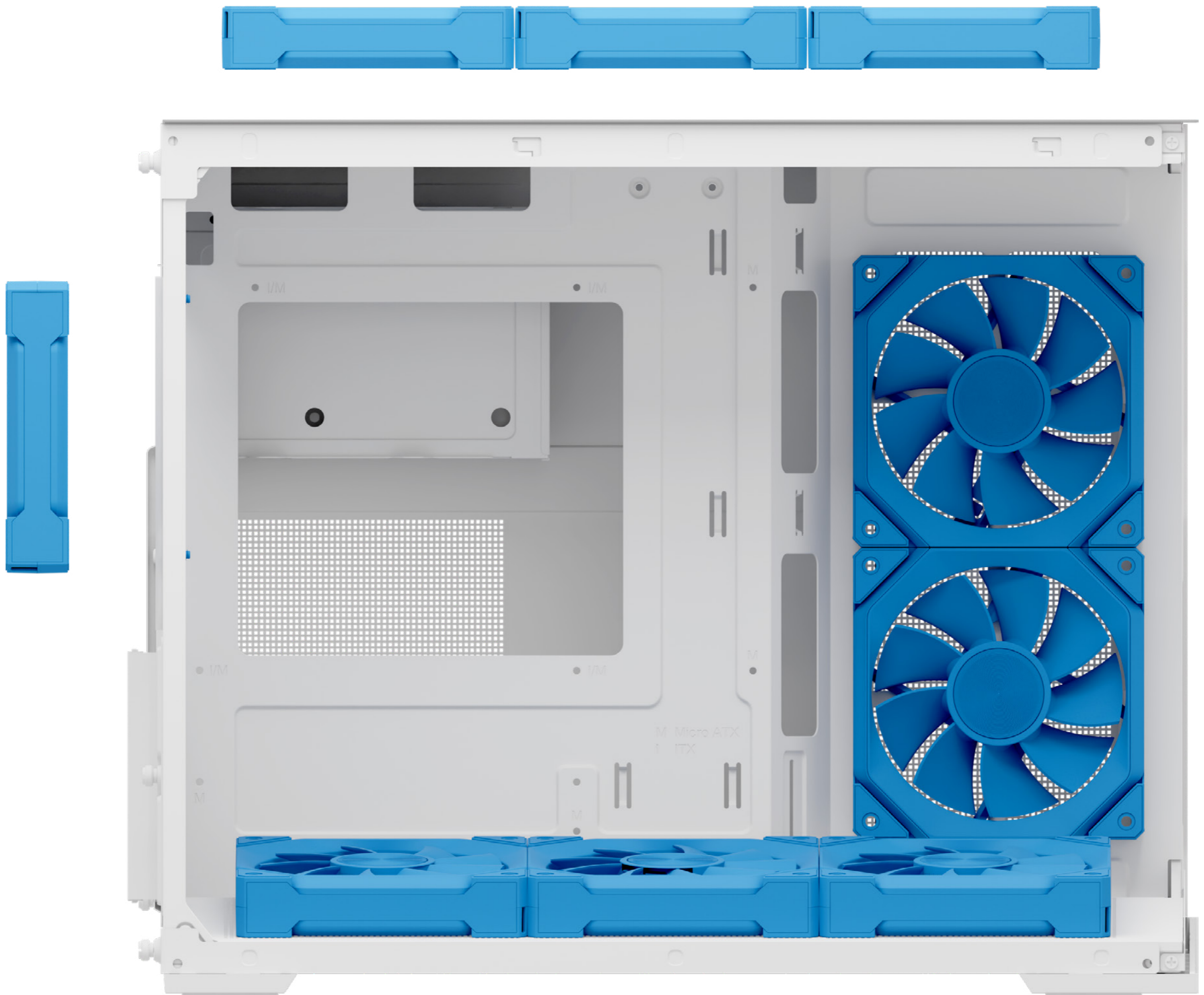
Align the graphics card with the motherboard PCIe slot, then insert it firmly. Secure the graphics card bracket to the case using “#6-32 × 6 mm” screws (PCIe/GPU bracket screws).





BASIC INSTALLATION

Installation of Fan and Radiator (Optional)



Fans installation options

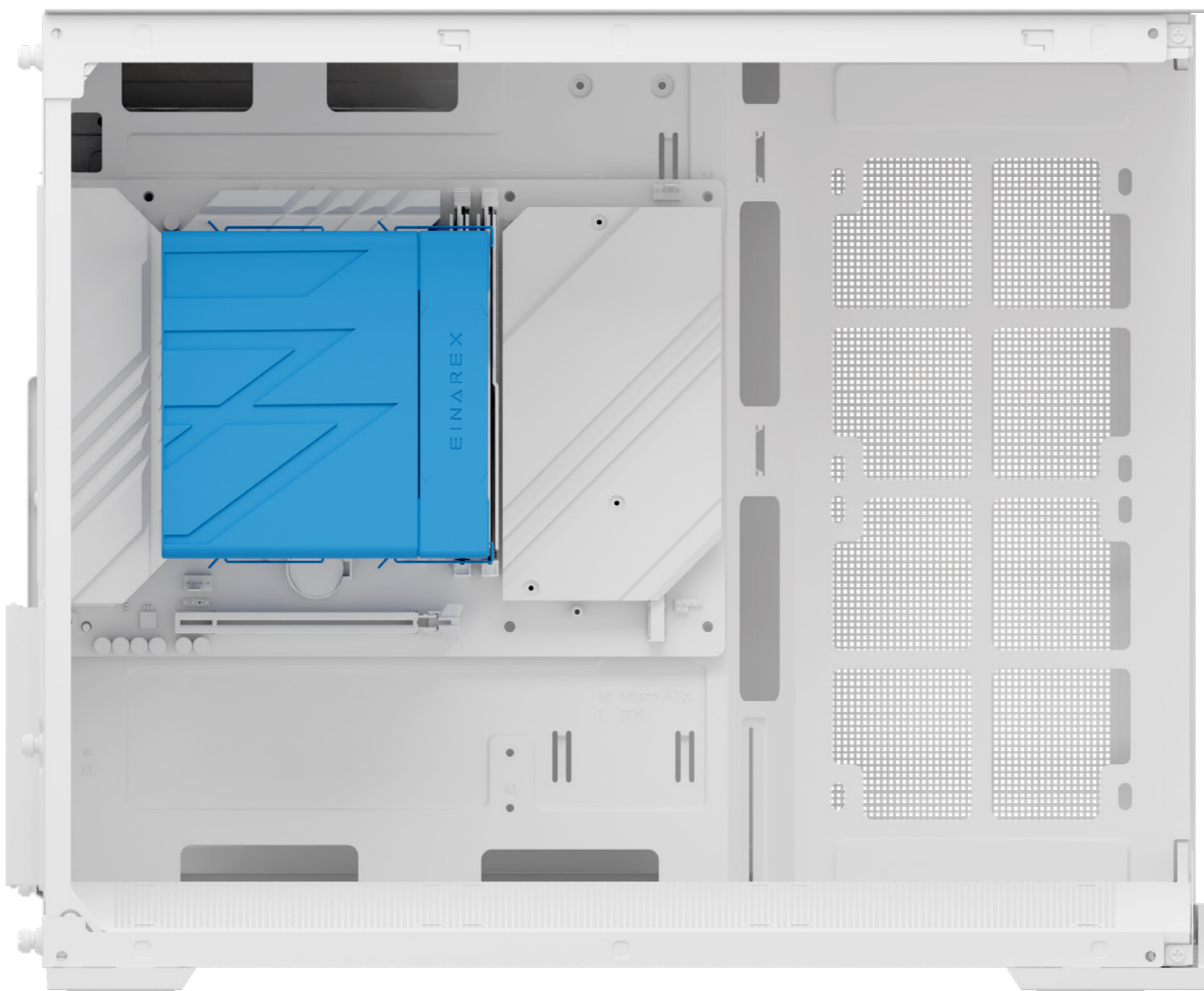
Top: 120mm x 3
Bottom: 120mm x 3

Rear: 120mm x 1
Side: 120mm x 2

F

BASIC INSTALLATION

Installation of Fan and Radiator (Optional)



Radiator and Heatsink installation options

Watercooler
Top: 360mm / 240mm

CPU cooler
160mm height

Compliance with the EU General Product Safety Regulation (GPSR)

In accordance with the new General Product Safety Regulation (GPSR), which ensures the safety and quality of products in the European market, we provide the following detailed information for transparency and compliance with EU requirements for our customers and partners:

Product Identification and traceability:

- Product Name: [Full product name]
- Model or Reference Code: [Product model or reference code]
- Batch or Serial Number: [Batch or serial number for traceability]
- Intended Use: [Brief description of the product's intended use]

User Instructions and Warnings:

To ensure safe and proper use of the product, a detailed User Manual is provided as QR code for digital access (ensuring up-to-date information) including:

- Assembly, installation, and operation instructions.
- Maintenance and cleaning guidelines.
- Specific warnings regarding risks (e.g., electrical hazards, improper use, etc.).
- Safe disposal instructions, in compliance with environmental regulations.

Declaration of Safety and Compliance:

This product has been developed and manufactured following the highest safety and quality standards. It complies with the provisions of the GPSR 2023/988, including risk assessments, traceability measures, and conformity to the general safety requirements set by the European Union.

Important Note: This product has been assessed for compliance with all relevant safety standards under GPSR 2023/988. By following the provided instructions and warnings, consumers can ensure safe and proper use of the product.

Product Identification and traceability:

Name (Registered trade name or registered Trademark)	EINAREX TECHNOLOGY CO., LIMITED
Address	Flat/Room 1101D, 11/F, Lippo Sun Plaza, 28 Canton Road
Postal code	999077
City/State/Province	Tsim Sha Tsui, Kowloon
Country	Hong Kong
Country of origin (of the products)	China

This product has been developed and manufactured following the highest safety and quality standards. It complies with the provisions of the GPSR 2023/988, including risk assessments, traceability measures, and conformity to the general safety requirements set by the European Union.

Name (Registered trade name or registered Trademark)	Rafael Jurado Rodriguez
Address	Camino de Gojar, 8
Postal code	18151
City/State/Province	Ogijares, Granada
Country	Spain

Contact Information:

For inquiries related to the safety or quality of this product, please contact:

Manufacturer support:

Phone:	+86 180 2440 2179
Email:	info@einarex.com
Website:	www.einarex.com

Authorized representative support (if applicable)

Phone:	+34 651 866 466
Email:	rafa@einarex.com



E I N A R E X

OUR TECHNOLOGY, YOUR STYLE

PRISMA

SM300

MORE INFORMATIONS AT einarex.com

